



safety

FOR SAFE  
WORKING LIVES

3

LIFTING CHAIN & COMPONENTS



CATALOGUE VOL1









# LIFTING CHAIN & COMPONENTS

# 3



GRADE 80 LIFTING CHAIN & COMPONENTS	4-13
GRADE 100 LIFTING CHAIN & COMPONENTS	14-31
GRADE 120 LIFTING CHAIN & COMPONENTS	32-32
GRADE 60 LIFTING CHAIN & COMPONENTS	34-40

## WE ONLY SUPPLY THE BEST LIFTING CHAIN AND COMPONENTS

to ensure every application of the lifting process is performed safely and effectively. All lifting chain and components are manufactured and tested to meet Australian Standards.

# CHAIN

## GENERAL

Although chain is generally heavier than other lifting equipment it is more durable, can withstand rough handling, can be stored without serious deterioration and has a longer effective life than most other mediums.

Various types of chain are in use today and an important part of an operator's knowledge is to be able to recognise those chains that can be used for lifting purposes and those that can not.

Chain identified by "8 - 80 - 800 - T - **Alloy**" are approved for lifting assemblies.

## GRADES CHAIN & FITTINGS

### THREE AUSTRALIAN STANDARDS COVER CHAIN MANUFACTURE AND ASSEMBLY

#### AS2321

Short Link Chain for Lifting Purposes  
(Non-Calibrated)\*\*

#### AS3775.2

Chain slings for lifting purposes - Grade T(80) and V(100)

#### AS3776

Lifting Components for Grade T(80) and V(100) chain slings

AS2321 is a performance standard, it is concerned with the production and testing of chain rather than it's usage.

#### AS 2321 COVERS GRADES OF QUALITY

##### AS FOLLOWS:

- L or 3 (30) - Low Tensile
- P or 5 (50) - Higher Tensile
- T or 8 (80) - Alloy

### \*\*NON-CALIBRATED

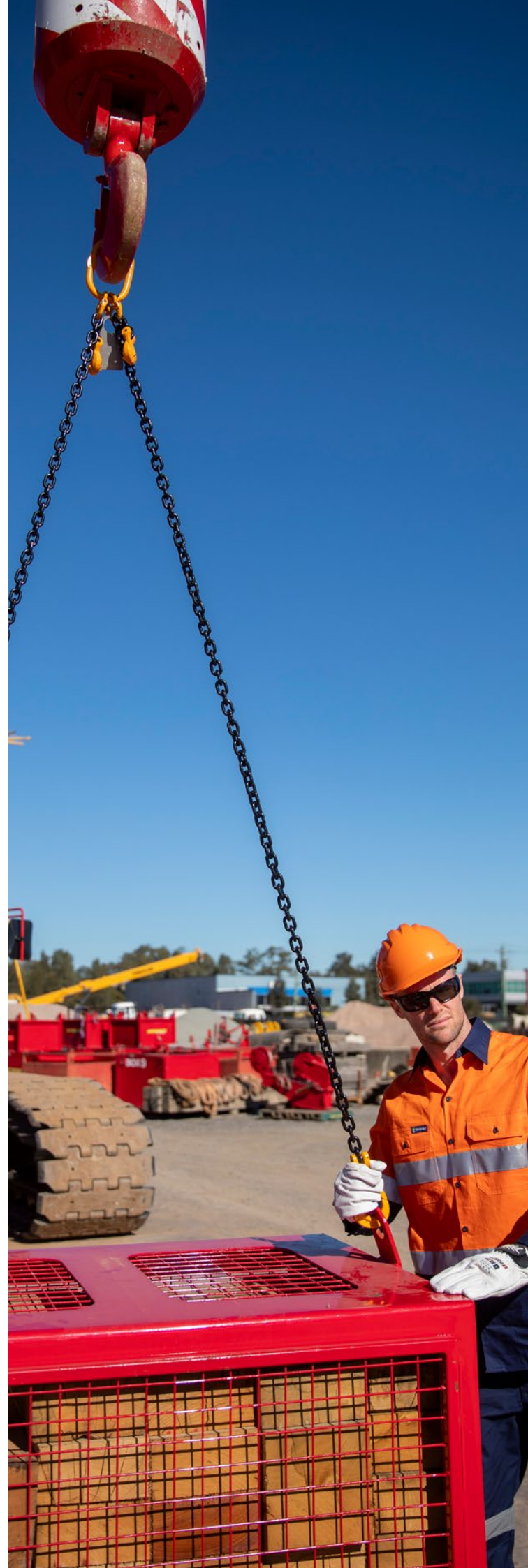
Non calibrated Load Chain is used for slings. This chain is manufactured to specific link dimensions, tolerance and mechanical properties but not dimensional accuracy. Whereas the chain required by hoists (or to run over gypsy or a pocketed wheel) is calibrated load chain and every link needs to be dimensionally exact.

#### GRADE 100

Lifting Chain and Components

#### GRADE 60

Stainless Steel Lifting





# GRADE 80 LIFTING CHAIN & COMPONENTS



Grade 80(T) Chain is manufactured from heat treated alloy steel, and is ideal for heavy duty lifting applications.

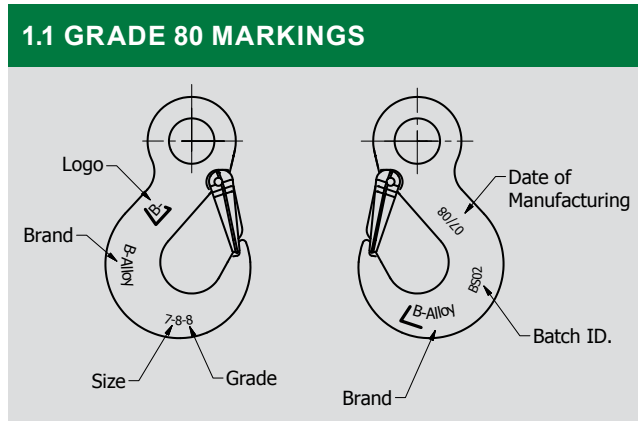
It meets Australian standards AS 2321, Short-Link Chain for Lifting Purposes and is high strength, rugged, versatile and low-weight.

- Quality testing is undertaken throughout the manufacturing process
- Grade 80 Chain also carries the mark “BSN-8”, stamped at intervals along its entire length for easy identification.

## GRADE 80 COMPONENTS

Grade 80 Lifting Components are also manufactured from heat treated alloy steel and are ideal for heavy duty lifting applications. They meet Australian Standard AS3776, Lifting Components for Grade T Chain Slings.

- Quality testing is undertaken throughout the manufacturing process
- Grade 80 Components also carry distinguishing marks - see image 1.1.



## WORKING LOAD LIMITS GRADE 80

WORKING LOAD LIMIT (W.L.L.) IN TONNES UNDER GENERAL CONDITIONS OF USE										
CHAIN SIZE (MM)	SINGLE LEG SLINGS				SLINGS OF 2,3 OR 4 LEG SLINGS			2 LEG SLINGS		
	STRAIGHT SLING	ADJUSTABLE SLING W/DERATION	REEVED SLING	BASKET SLING MAX 60°	STRAIGHT SLING			REEVED SLING MAX 60°	BASKET SLING MAX 60°	
					60°	90°	120°			
LOADING FACTOR	1	0.75	0.75	1.3	1.73	1.41	1	1.3	2.25	
6	1.1	1.1	0.8	1.4	1.9	1.6	1.1	1.4	2.5	
8	2.00	2.0	1.5	2.6	3.5	2.8	2.0	2.6	4.5	
10	3.2	3.2	2.4	4.2	5.5	4.5	3.2	4.2	7.2	
13	5.3	5.3	4.0	6.9	9.2	7.5	5.3	6.9	11.9	
16	8.0	8.0	6.0	10.4	13.8	11.3	8.0	10.4	18.0	
20	12.5	12.5	9.4	16.3	21.6	17.6	12.5	16.3	28.1	
22	15.0	15.0	11.3	19.5	26.0	21.2	15.0	19.5	33.8	
26	21.2	21.2	15.9	27.6	36.7	29.9	21.2	27.6	47.7	
32	31.5	31.5	23.6	41.0	54.5	44.4	31.5	41.0	70.9	

\*On adjustable slings, some grab shortening hooks may derate the W.L.L. by 25%. Advice should be sought from the manufacturer.



# GRADE 80 CHAIN SLINGS



## GRADE 80 CHAIN SLINGS WITH SHORTENERS AND SELF LOCKING HOOKS 6 - 32MM

### FEATURES AND BENEFITS

- Pre-assembled for convenience
- Tested to AS3775.2 and supplied with NATA test certificates
- All fittings and components manufactured from high quality heat treated alloy steel
- Supplied with WLL tag fitted

STANDARDS  
AS3775.2

UOM: EACH

SIZE (MM)	LENGTH (M)	1 LEG CODE	1 LEG WLL (T)	2 LEG CODE	3 LEG CODE	4 LEG CODE	2,3,4 LEG WLL (T)
6	3	D8061123	1.1	D8062123	D8063123	D8064123	1.9
6	6	D8061126	1.1	D8062126	D8063126	D8064126	1.9
8	3	D8081123	2.0	D8082123	D8083123	D8084123	3.5
8	6	D8081126	2.0	D8082126	D8083126	D8084126	3.5
10	3	D8101123	3.2	D8102123	D8103123	D8104123	5.5
10	6	D8101126	3.2	D8102126	D8103126	D8104126	5.5
13	3	D8131123	5.3	D8132123	D8133123	D8134123	9.2
13	6	D8131126	5.3	D8132126	D8133126	D8134126	9.2
16	3	D8161123	8.0	D8162123	D8163123	D8164123	13.8
16	6	D8161126	8.0	D8162126	D8163126	D8164126	13.8
20	3	D8201123	12.5	D8202123	D8203123	D8204123	21.6
20	6	D8201126	12.5	D8202126	D8203126	D8204126	21.6
22	3	D8221123	15.0	D8222123	D8223123	D8224123	26.0
22	6	D8221126	15.0	D8222126	D8223126	D8224126	26.0
26	3	D8261123	21.2	D8262123	D8263123	D8264123	36.7
26	6	D8261126	21.2	D8262126	D8263126	D8264126	36.7
32	3	D8321123	31.5	D8322123	D8323123	D8324123	54.5
32	6	D8321126	31.5	D8322126	D8323126	D8324126	54.5

\*Other lengths and configurations available upon request.





## GRADE 80 CHAIN SLINGS WITH SHORTENERS AND SAFETY HOOKS 6 - 32MM

### FEATURES AND BENEFITS

- Pre-assembled for convenience
- Tested to AS3775 and supplied with NATA test certificates
- All fittings and components manufactured from high quality heat treated alloy steel
- Supplied with WLL tag fitted

STANDARDS  
AS3775.2

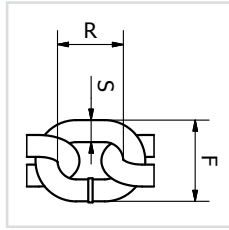
UOM: EACH

SIZE (MM)	LENGTH (M)	1 LEG CODE	1 LEG WLL (T)	2 LEG CODE	3 LEG CODE	4 LEG CODE	2,3,4 LEG WLL (T)
6	3	D8061113	1.1	D8062113	D8063113	D8064113	1.9
6	6	D8061116	1.1	D8062116	D8063116	D8064116	1.9
8	3	D8081113	2.0	D8082113	D8083113	D8084113	3.5
8	6	D8081116	2.0	D8082116	D8083116	D8084116	3.5
10	3	D8101113	3.2	D8102113	D8103113	D8104113	5.5
10	6	D8101116	3.2	D8102116	D8103116	D8104116	5.5
13	3	D8131113	5.3	D8132113	D8133113	D8134113	9.2
16	6	D8161116	5.3	D8162116	D8163116	D8164116	9.2
20	3	D8201113	8.0	D8202113	D8203113	D8204113	13.8
20	6	D8201116	8.0	D8202116	D8203116	D8204116	13.8
22	3	D8221113	12.5	D8222113	D8223113	D8224113	21.6
22	6	D8221116	12.5	D8222116	D8223116	D8224116	21.6
26	3	D8261113	15.0	D8262113	D8263113	D8264113	26.0
26	6	D8261116	15.0	D8262116	D8263116	D8264116	26.0
32	3	D8321113	21.2	D8322113	D8323113	D8324113	36.7
32	6	D8321116	21.2	D8322116	D8323116	D8324116	36.7
32	3	D8321123	31.5	D8322123	D8323123	D8324123	54.5
32	6	D8321126	31.5	D8322126	D8323126	D8324126	54.5

\*Other lengths and configurations available upon request.



# GRADE 80 CHAIN & COMPONENTS



## GRADE 80 (T) LIFTING CHAIN 6MM - 32MM

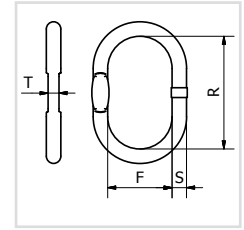
### FEATURES AND BENEFITS

- Ideal for heavy duty lifting applications
- Manufactured from heat treated alloy steel
- High strength, versatile and low weight
- Quality testing performed throughout the manufacturing process

STANDARDS  
AS2321

UOM: /METRE

CODE	SIZE (MM)	S (MM)	R (MM)	F (MM)	WLL (t)	METRES /100KG
148006	6	6	18	22.2	1.2	115
148007	7	7	21	25.9	1.6	90
148008	8	8	24	29.6	2	71
148010	10	10	30	37	3.2	45
148013	13	13	39	48.1	5.4	26
148016	16	16	48	59.2	8.2	17
148020	20	20	60	74	12.8	11
148022	22	22	66	81.4	16	9
148026	26	26	78	96.2	20.6	6
148032	32	32	96	118	32.8	4



## GRADE 80 RECESSED ENLARGED MASTER LINK 8MM - 36MM

### FEATURES AND BENEFITS

- Ideal for heavy duty lifting applications
- Designed for single and 2 leg applications
- High strength, versatile and low weight
- When using in chain assemblies use the WLL for relevant chain size in the chart

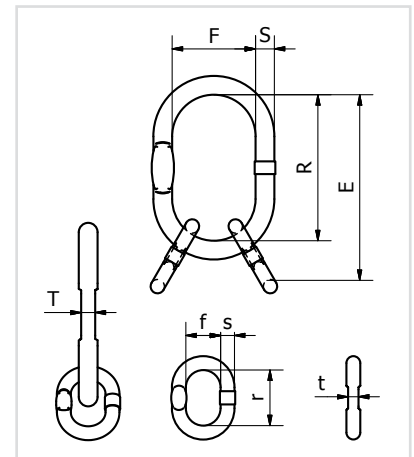
STANDARDS

AS3776 - LIFTING COMPONENT FOR GRADE T CHAIN SLINGS

UOM: EACH

CODE	CHAIN SIZE (MM)		WLL (KG)	S (MM)	R (MM)	F (MM)	T (MM)	APPROX WEIGHT (KG)	PACK QTY
	1LEG	2LEG							
883508A	8	7	2700	15.5	120	70	7	0.44	60
883510A	10	8	3500	18	140	80	7	0.67	25
883513A	13	10	5500	22.5	160	95	11	1.52	16
883516A	16	13	9400	29	190	110	13	2.65	8
883520A	20	16	14200	35	230	130	16	4.48	6
883522A	22	20	22300	42	275	150	22	7.49	3
883526A	26	22	33500	50	340	180	28	12.83	2
883532A	32	26	40800	55	350	190	30	16.56	1
883536A	36	32	56800	62	400	200	36	31.02	1

Designed for Single and 2 Leg Applications.



## GRADE 80 RECESSED ENLARGED MULTI-LEG OBLONG LINK 7MM - 32MM

### FEATURES AND BENEFITS

- Ideal for heavy duty lifting applications
- High strength, versatile and low weight
- Designed for 2,3 & 4 leg applications
- When using in chain assemblies use the WLL for relevant chain size in the chart

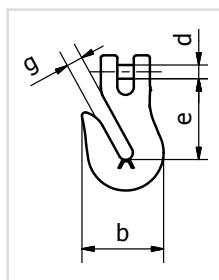
STANDARDS

AS3776 - LIFTING COMPONENT FOR GRADE T CHAIN SLINGS

UOM: EACH

CODE	CHAIN SIZE (MM)	WLL @ 60° (KG)	S (MM)	R (MM)	F (MM)	T (MM)	E (MM)	s (MM)	r (MM)	f (MM)	t (MM)	APPROX WEIGHT	PACK QTY
883707	7	3150	19	135	75	-	195	13	60	38	8	1.35	1
883708	8	4250	23	160	90	-	230	16	70	34	8	2.32	1
883710	10	6700	27	180	100	-	265	18	85	40	11.5	3.58	1
883713	13	11200	33	200	110	-	315	23	115	50	14	6.57	1
883716	16	17000	36	260	140	-	400	27	140	65	18	10.3	1
883720	19-20	26500	45	340	180	-	490	33	150	70	-	19.3	1
883722	22	31500	50	350	190	-	520	36	170	75	-	25.1	1
883726	26	45000	56	400	200	-	570	40	170	80	-	34.3	1
883732	32	56800	70	460	250	-	660	50	200	100	-	64	1

Designed for 2,3 and 4 Leg Applications. Please Also Note: Australian Standards only allow for 2 legs to be considered as the maximum load.



## GRADE 80 CLEVIS SHORTENING GRAB HOOK 6MM - 22MM

### FEATURES AND BENEFITS

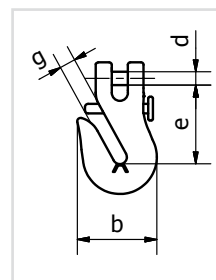
- Clevis pin for direct connection to chain without using connecting link
- Supporting lugs either side to prevent chain link deformation
- High strength, versatile and low weight

#### STANDARDS

AS3776 - LIFTING COMPONENT FOR GRADE T CHAIN SLINGS

UOM: EACH

CODE	CHAIN SIZE (MM)	WLL (KG)	e (MM)	b (MM)	d (MM)	g (MM)	APPROX WEIGHT (KG)	PACK QTY
886206	6	1100	45	45.7	7.6	8.3	0.25	80
886207	7-8	2000	53.3	50	9	10.5	0.28	55
886210	10	3200	75.5	72	12.5	10.5	0.73	25
886213	13	5300	92	96	16	16.5	1.6	12
886216	16	8000	99	112.5	19.7	19	2.8	8
886220	20	12500	122.7	143	24	24	4	4
886222	22	15000	126	143.5	26	27	72	3



## GRADE 80 CLEVIS SHORTENING GRAB HOOKS WITH SAFETY PIN 13MM - 16MM

### FEATURES AND BENEFITS

- Locking pin for additional safety
- Supporting lugs either side to prevent chain link deformation
- Clevis pin for direct connection to chain without using connecting link

#### STANDARDS

AS3776 - LIFTING COMPONENT FOR GRADE T CHAIN SLINGS

UOM: EACH

CODE	CHAIN SIZE (MM)	WLL (KG)	e (MM)	b (MM)	d (MM)	g (MM)	APPROX WEIGHT (KG)	PACK QTY
886213S	13	5300	90	120	16	15	1.75	1
886216S	16	8000	105	130	20	19	2.8	1



## GRADE 80 COMPONENT CONNECTOR 6MM - 32MM

### FEATURES AND BENEFITS

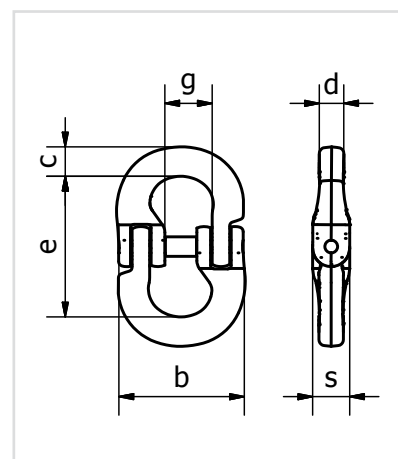
- Ideal for heavy duty lifting applications
- Conventional style chain connector
- High strength, versatile and low weight

#### STANDARDS

AS3776 - LIFTING COMPONENT FOR GRADE T CHAIN SLINGS

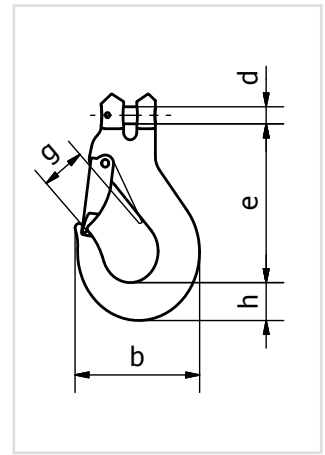
UOM: EACH

CODE	CHAIN SIZE (MM)	WLL (KG)	e (MM)	c (MM)	b (MM)	g (MM)	d (MM)	s (MM)	APPROX WEIGHT	PACK QTY	REPLACEMENT PIN & STUD KIT
C6	6	1100	18	7	45	18	7.7	10.5	0.07	20	894206BA
C7	7	1500	19	8.3	52	19	9	12.3	0.1	30	894207BA
C8	8	2000	23	9.5	65	23	10.5	13.5	0.25	20	894208BA
C10	10	3200	27	12	73	27	12.9	17.2	0.35	30	894210BA
C13	13	5300	34	16	88	34	16.8	22.7	0.68	20	894213BA
C16	16	8000	39	19	103	39	20.6	28	1.1	12	894216BA
C20	20	12500	47	23.5	116	47	25.8	34.8	2.2	8	894220BA
C22	22	15000	55	26.5	133	55	28.3	35.5	2.72	6	894222BA
C26	26	21200	66	31.5	148	66	33.4	42	5.05	4	894226BA
C32	32	31500	79	38	183	79	40.8	51	10.02	2	894232BA





# GRADE 80 COMPONENTS



## GRADE 80 CLEVIS SLING HOOK WITH SAFETY LATCH 6MM - 22MM

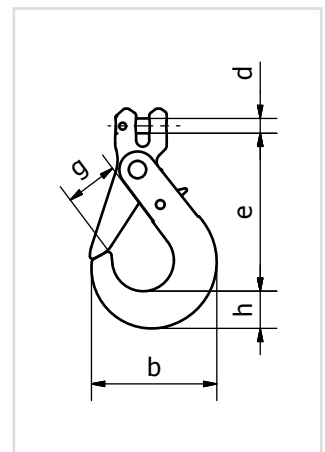
### FEATURES AND BENEFITS

- Ideal for heavy duty lifting applications
- Safety latch to minimise risk of damage
- High strength, versatile and low weight
- Clevis pin for direct connection to chain without using connecting link

STANDARDS  
AS3776 - LIFTING COMPONENT FOR GRADE T CHAIN SLINGS

UOM: EACH

CODE	CHAIN SIZE (MM)	WLL (KG)	e (MM)	d (MM)	h (MM)	b (MM)	g (MM)	APPROX WEIGHT	PACK QTY	REPLACEMENT PIN & STUD KIT
885106	6	1100	76.4	7.8	20	77.4	27	0.23	50	895106BA
885107	7-8	2000	86	9.3	25	85	26	0.48	30	895107BA
885110	10	3200	104	13	31	103	33.5	0.95	18	895110BA
885113	13	5300	127.8	16.4	42.5	127.5	40	1.85	10	895113BA
885116	16	8000	148	21.3	54	161	51	3.94	5	895116BA
885120	20	12500	179	24.3	58	188	59	6.36	2	895120BA
885122	22	15000	215	26.3	60.4	229	79	10.4	2	895122BA



## GRADE 80 CLEVIS SELF LOCKING HOOK SAFETY HOOK 6MM - 26MM

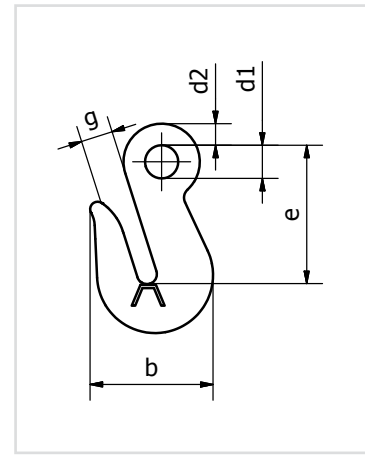
### FEATURES AND BENEFITS

- Self locking when hook is under load
- Ideal for heavy duty lifting applications
- Clevis pin for direct connection to chain without using connecting link

STANDARDS  
AS3776 - LIFTING COMPONENT FOR GRADE T CHAIN SLINGS

UOM: EACH

CODE	CHAIN SIZE (MM)	WLL (KG)	e (MM)	d (MM)	h (MM)	b (MM)	g (MM)	APPROX WEIGHT	PACK QTY	REPLACEMENT PIN & STUD KIT
886406Y	6	1100	98	8	22	75	28	0.57	35	896506
886407Y	7-8	2000	120	10	25	86	33	0.91	25	896508
886410Y	10	3200	150	12.5	34	111	45	1.675	12	896510
886413Y	13	5300	185	16	40	136	52	3.33	6	896513
886416Y	16	8000	215	20	53	173	64	6	4	896516
886420Y	20	12500	235	24	64	200	77	8.6	3	896520
886422Y	22	15000	255	28	74	229	92	14.7	1	896522
886426Y	26	21200	316	34	85	256	97	23.5	1	896526



## GRADE 80 EYE SHORTENING GRAB HOOK 6MM - 32MM

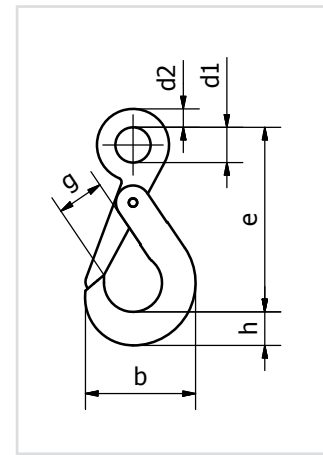
### FEATURES AND BENEFITS

- Ideal for shortening chain length
- Supporting lugs either side to prevent chain link deformation
- High strength, versatile and low weight

STANDARDS  
AS3776 - LIFTING COMPONENT FOR GRADE T CHAIN SLINGS

UOM: EACH

CODE	CHAIN SIZE (MM)	WLL (KG)	e (MM)	b (MM)	d1 (MM)	d2 (MM)	g (MM)	APPROX WEIGHT (KG)	PACK QTY
885306	6	1100	51	45.8	13.5	8	8.3	0.14	100
885307	7-8	2000	61.7	51	18	9.5	10.8	0.35	80
885310	10	3200	80	70	20.5	13	13.5	0.65	30
885313	13	5300	99.7	89.7	26	15.5	16.5	1.39	15
885316	16	8000	105.5	113	30.5	19	20	2.1	8
885320	20	12500	140.7	143	37.5	23	25	4	5
885322	22	15000	165	160.5	44	26	28	6.36	3
885326	26	21200	188.5	181.3	44	34	30	9.6	2
885332	32	31500	230	223	57	40	38	19.4	1



## GRADE 80 EYE SELF LOCKING SAFETY HOOK 6MM - 32MM

### FEATURES AND BENEFITS

- Self locking when hook is under load
- Ideal for heavy duty lifting applications
- High strength, versatile and low weight

STANDARDS  
AS3776 - LIFTING COMPONENT FOR GRADE T CHAIN SLINGS

UOM: EACH

CODE	CHAIN SIZE (MM)	WLL (KG)	e (MM)	d1 (MM)	d2 (MM)	h (MM)	b (MM)	g (MM)	APPROX WEIGHT (KG)	PACK QTY	REPLACEMENT LATCH KIT
885706Y	6	1100	107	22	11	22	75	28	0.5	35	896506
885707Y	7-8	2000	133	24	11	25	86	33	0.84	25	896508
885710Y	10	3200	167	32	15.5	34	111	45	1.575	12	896510
885713Y	13	5300	208	39	20.5	40	136	52	3.12	6	896513
885716Y	16	8000	254	49	24.5	53	173	64	5.875	4	896516
885720Y	20	12500	272	59	27.5	64	200	77	8.5	3	896520
885722Y	22	15000	310	70	35	74	229	92	14.3	1	896522
885726Y	26	21200	363	80	34	75	242.8	99	18	1	885726YK
885732Y	32	31500	472	105	45	97	334	147	44.5	1	885732YK



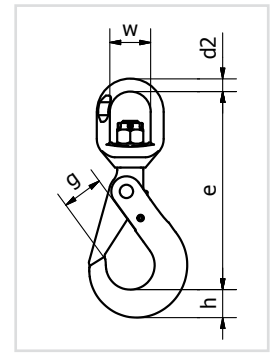
# GRADE 80 COMPONENTS



## GRADE 80 EYE SWIVEL SELF LOCKING HOOK 6MM - 20MM

### FEATURES AND BENEFITS

- Self locking when hook is under load
- Swivel rotation under load
- High strength, versatile and low weight



STANDARDS  
AS3776 - LIFTING COMPONENT FOR GRADE T CHAIN SLINGS

UOM: EACH

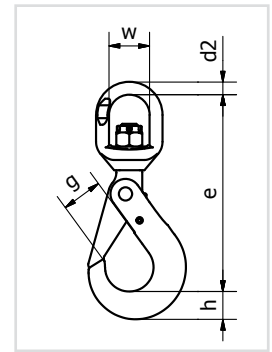
CODE	CHAIN SIZE (MM)	WLL (KG)	e (MM)	d2 (MM)	h (MM)	g (MM)	w (MM)	APPROX WEIGHT (KG)	PACK QTY	REPLACEMENT LATCH KIT
886507	7-8	2000	189	14	25	33	34	1.2	15	896508
886510	10	3200	229	16	34	45	42	2.23	8	896510
886513	13	5300	285	22	40	52	52	4.27	6	896513
886516	16	8000	335	23	53	67	60	7.75	3	896516
886520	20	12500	375	27	64	77	74	11.9	2	896520



## GRADE 80 EYE SWIVEL SELF LOCKING HOOK WITH BALL BEARING 6MM - 20MM

### FEATURES AND BENEFITS

- Self locking when hook is under load
- Ball bearing swivel allows load to be easily rotated
- High strength, versatile and Low weight



STANDARDS  
AS3776 - LIFTING COMPONENT FOR GRADE T CHAIN SLINGS

UOM: EACH

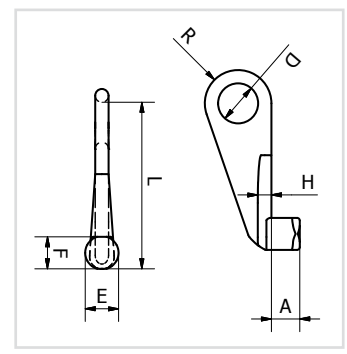
CODE	CHAIN SIZE (MM)	WLL (KG)	e (MM)	d2 (MM)	h (MM)	g (MM)	w (MM)	APPROX WEIGHT (KG)	PACK QTY	REPLACEMENT LATCH KIT
886606	6	1100	163.3	11.5	19	27	32.5	0.71	25	896606
886607	7-8	2000	195	13	26	35	36	1.1	18	896607
886610	10	3200	237	15.5	30	44	42	2	10	896610
886613	13	5300	282	17	27	53	50	4	4	896613
886616	16	8000	341.5	21.5	48	60	61	7.3	2	896616
886620	20	12500	399.5	26.5	61	87	76	11.6	1	896620



## GRADE 80 EYE CONTAINER HOOK LEFT 45° & RIGHT 45°

### FEATURES AND BENEFITS

- Approved for container lifting as part of an assembly
- High strength, versatile and Low weight
- Left & right 45° type for lifting with an angle



UOM: EACH

CODE	DSC	WLL (KG)	A (MM)	R (MM)	D (MM)	h (MM)	F (MM)	E (MM)	L (MM)	APPROX WEIGHT (KG)	PACK QTY
886845L	Left 45°	12500	46	60	70	25	75	48	240	4	2
886845R	Right 45°	12500	46	60	70	25	75	48	240	4	2





# GRADE 100 CHAIN SLINGS

## GRADE 100 CHAIN & COMPONENTS



### BV-100 LIFTING CHAIN

Our BV-100 Grade 100 chain is tested in accordance with Australian Standard AS2321.

- Rugged, versatile, high strength and low-weight
- BV-100 Grade 100 Chain carries the mark “10” stamped on every link along its entire length for easy identification
- Sizes available from 6-26mm.

### BV-100 LIFTING FITTINGS

BV-100 Grade 100 Lifting Fittings also comply with Australian Standard AS 2321.

### BV-100 LIFTING CHAIN SLINGS

Bunzl Safety can provide all inclusive pre-made chain slings complete with shorteners and hooks for your convenience. The length of each chain leg can be altered by using the shortener.

#### FEATURES

- Superior resistance to wear
- Pre-made for convenience
- Complete with shorteners
- 25% higher load capacity over Grade 80
- 30% weight saving over Grade 80
- BV-100 Grade 100 chain meets and exceeds the requirements of ASTM A973/A973m-01 and EN818-2
- All fittings meet EN1677

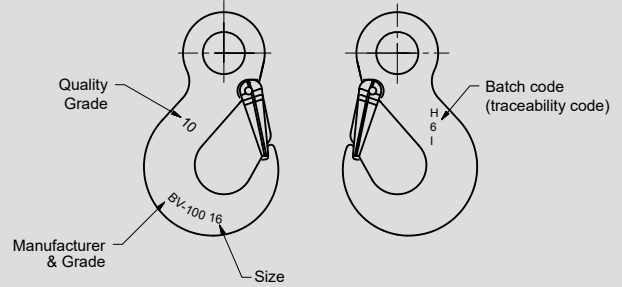
### BV-100 GRADE 100 CHAIN

#### FEATURES

- 25% higher load capacity than Grade 80
- 30% weight saving over Grade 80
- Superior resistance to wear due to unique heat treatment.

### BV-100 GRADE 100 MARKINGS

Sizes available: 6mm - 26mm.



**25% HIGHER  
LOAD CAPACITY\***

**30% WEIGHT SAVING\***

**SUPERIOR  
RESISTANCE  
TO WEAR**

\*than Grade 80

### WORKING LOAD LIMITS GRADE 100

#### WORKING LOAD LIMIT (W.L.L.) IN TONNES UNDER GENERAL CONDITIONS OF USE

CHAIN SIZE (MM)	SINGLE LEG SLINGS				SLINGS OF 2,3 OR 4 LEG SLINGS			2 LEG SLINGS	
	STRAIGHT SLING	ADJUSTABLE SLING W/DERATION	REEVED SLING	BASKET SLING MAX 60°	STRAIGHT SLING			REEVED SLING MAX 60°	BASKET SLING MAX 60°
					60°	90°	120°		
LOADING FACTOR	1	0.75	0.75	1.3	1.73	1.41	1	1.3	2.25
6	1.4	1.4	1.1	1.8	2.4	2.0	1.4	1.8	3.2
8	2.5	2.5	1.9	3.3	4.3	3.5	2.5	3.3	5.6
10	4.0	4.0	3.0	5.2	6.9	5.6	4.0	5.2	9.0
13	6.7	6.7	5.0	8.7	11.6	9.4	6.7	8.7	15.1
16	10.0	10.0	7.5	13.0	17.3	14.1	10.0	13.0	22.5
20	16.0	16.0	12.0	20.8	27.7	22.6	16.0	20.8	36.0
22	19.0	19.0	14.3	24.7	32.9	26.8	19.0	24.7	42.8
26	26.5	26.5	19.9	34.5	45.8	37.4	26.5	34.5	59.6
32	40.0	40.0	30.0	52.0	69.2	56.4	40.0	52.0	90.0

\*On adjustable slings, some grab shortening hooks may derate the W.L.L. by 25%. Advice should be sought from the manufacturer.



## GRADE 100 CHAIN SLING WITH SHORTENER & SELF LOCKING HOOKS 8 - 32MM

### FEATURES AND BENEFITS

- Pre-made for convenience
- Tested to AS3776 and supplied with NATA Certificates
- High strength, versatile and low weight
- 25% higher load capacity than Grade 80
- 30% weight saving over Grade 80

STANDARDS  
AS3775.2

UOM: EACH

SIZE (MM)	LENGTH (M)	1 LEG CODE	1 LEG WLL (T)	2 LEG CODE	2,3,4 LEG WLL (T)
8	3	Special Order	2.5	Special Order	4.3
8	6	Special Order	2.5	Special Order	4.3
10	3	Special Order	4.0	Special Order	6.9
10	6	Special Order	4.0	Special Order	6.9
13	3	Special Order	6.7	Special Order	11.5
13	6	Special Order	6.7	Special Order	11.5
16	3	Special Order	10.0	Special Order	17.3
16	6	Special Order	10.0	Special Order	17.3
20	3	Special Order	16.0	Special Order	27.7
20	6	Special Order	16.0	Special Order	27.7
22	3	Special Order	19.0	Special Order	32.9
22	6	Special Order	19.0	Special Order	32.9
26	3	Special Order	26.5	Special Order	45.8
26	6	Special Order	26.5	Special Order	45.8
32	3	Special Order	40.0	Special Order	69.2
32	6	Special Order	40.0	Special Order	69.2

Note: Other 1,2,3 and 4 leg chain slings are available by special order



# GRADE 100 CHAIN SLINGS



LIFTING & MATERIALS HANDLING | LIFTING CHAIN & COMPONENTS

## GRADE 100 CHAIN SLING WITH SHORTENER & SAFETY HOOKS 8 - 26MM

### FEATURES AND BENEFITS

- Pre-made are supplied with supplied with NATA Certificates
- High strength, versatile and Low weight
- 25% higher load capacity than Grade 80
- 30% weight saving over Grade 80

STANDARDS  
AS3775.2

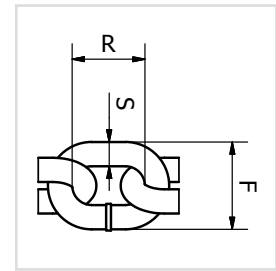
UOM: EACH

SIZE (MM)	LENGTH (M)	1 LEG CODE	1 LEG WLL (T)	2 LEG CODE	2,3,4 LEG WLL (T)
8	3	Special Order	2.5	Special Order	4.3
8	6	Special Order	2.5	Special Order	4.3
10	3	Special Order	4.0	Special Order	6.9
10	6	Special Order	4.0	Special Order	6.9
13	3	Special Order	6.7	Special Order	11.5
13	6	Special Order	6.7	Special Order	11.5
16	3	Special Order	10.0	Special Order	17.3
16	6	Special Order	10.0	Special Order	17.3
20	3	Special Order	16.0	Special Order	27.7
20	6	Special Order	16.0	Special Order	27.7
22	3	Special Order	19.0	Special Order	32.9
22	6	Special Order	19.0	Special Order	32.9
26	3	Special Order	26.5	Special Order	45.8
26	6	Special Order	26.5	Special Order	45.8

Note: Other 1,2,3 and 4 leg chain slings are available by special order

GRADE 100 CHAIN SLINGS

3



## BV-100 GRADE 100 CHAIN 8MM - 26MM

### FEATURES AND BENEFITS

- Superior resistance to wear due to heat treatment
- High strength, versatile and low weight
- 25% higher load capacity than Grade 80
- 30% weight saving over Grade 80



STANDARDS  
AS2321

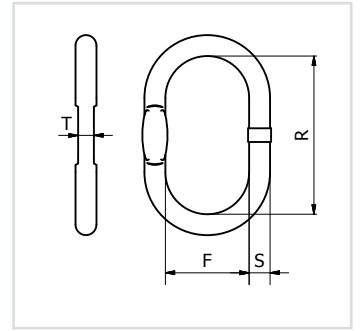
UOM: /METRE

CODE	WLL (KG)	SIZE (MM)	S (MM)	R PITCH (MM)	F OUTSIDE WIDTH (MM)	WEIGHT (KG/M)	FINISH	METRES / 100KG	METRES / 500KG DRUM
CHAINBV100008MM	2500	8	8	24	28.8	1.57	Painted	64	320
CHAINBV100010MM	4000	10	10	30	36.0	2.46	Painted	40	200
CHAINBV100013MM	6700	13	13	39	46.8	4.18	Painted	24	120
CHAINBV100016MM	10000	16	16	48	57.6	6.28	Painted	15.9	79.5
CHAINBV100020MM	16000	20	20	62	70.5	8.90	Painted	11.2	56
CHAINBV100022MM	19000	22	22	66	79.2	11.88	Painted	8.2	41
CHAINBV100026MM	26500	26	26	78	94.1	16.18	Painted	6.18	30.9





# GRADE 100 COMPONENTS



LIFTING & MATERIALS HANDLING | LIFTING CHAIN & COMPONENTS

## GRADE 100 SINGLE MASTERLINK 8MM - 26MM

### FEATURES AND BENEFITS

- When used in chain sling assemblies refer to the WLL Chart for relevant chain size
- Suitable for 1 & 2 leg chain assemblies

### STANDARDS

AS3776 Lifting component for Grade 100 chain slings

UOM: EACH

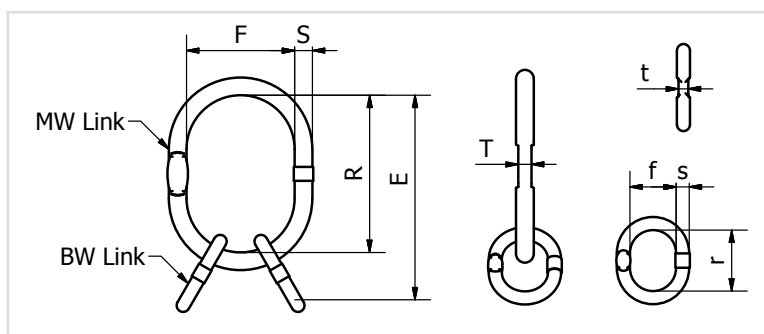
CODE	CHAIN SIZE (MM)		WLL (KG)	S (MM)	R (MM)	F (MM)	T (MM)	APPROX WEIGHT (KG)	PACK QTY
	1LEG	2LEG							
LINKSBV100008MM	8	7	3500	16	110	60	14	0.53	1
LINKSBV100010MM	10	8	5000	19	135	75	14	0.92	1
LINKSBV100013MM	13	10	7600	23	160	90	17	1.6	1
LINKSBV100016MM	16	13	10000	27	180	100	20	2.46	1
LINKSBV100020MM	19	16	14000	33	200	110	26	4.14	1
LINKSBV100022MM	22	19	25100	36	260	140	-	6.22	1
LINKSBV100026MM	26	22	30800	45	340	180	-	12.82	1
LINKSBV100032MM	32	26	40000	50	350	190	-	16.55	1

Designed for Single & 2 Leg Applications



GRADE 100 COMPONENTS

3



## GRADE 100 MULTI MASTERLINK 8MM - 22MM

### FEATURES AND BENEFITS

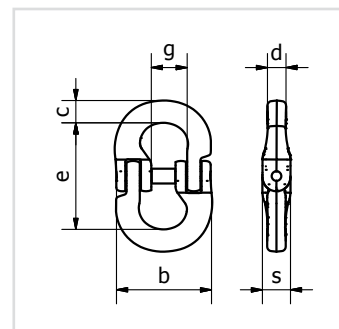
- When used in chain sling assemblies refer to the WLL Chart for relevant chain size
- Suitable for 2, 3 & 4 chain assemblies

### STANDARDS

AS3776 LIFTING COMPONENT FOR GRADE 100 CHAIN SLINGS

UOM: EACH

CODE	CHAIN SIZE (MM)	WLL @ 60° (KG)	S (MM)	E (MM)	R (MM)	F (MM)	T (MM)	s (MM)	r (MM)	f (MM)	t (MM)	APPROX WEIGHT	PACK QTY
LINKMBV100008MM	8	6600	23	230	160	110	17	17	70	34	14	2.41	1
LINKMBV100010MM	10	10100	27	275	190	110	20	20	85	40	14	4.01	1
LINKMBV100013MM	13	15700	33	345	230	130	26	23	115	50	17	6.9	1
LINKMBV100016MM	16	21200	38	415	275	150	29	27	140	65	20	11.12	1
LINKMBV100020MM	20	34100	56	500	350	250	-	33	150	70	26	28.08	1
LINKMBV100022MM	22	40000	56	520	350	250	-	36	170	75	-	30.62	1



## GRADE 100 CONNECTORS 8MM - 26MM

### FEATURES AND BENEFITS

- Conventional style connecting link to Grade 100 chain
- Increased WLL compared to Grade 80
- Suitable for lifting applications

### STANDARDS

AS3776 Lifting component for Grade 100 chain slings

UOM: EACH

CODE	CHAIN SIZE (MM)	WLL (KG)	e (MM)	c (MM)	s (MM)	d (MM)	b (MM)	g (MM)	APPROX WEIGHT (KG)	PACK QTY	REPLACEMENT BOLT KIT
CONNTBV100006MM	6	1400	44	8	11	8	39	14	0.06	20	CBHW6
CONNTBV100008MM	8	2500	62	12	15	10	53	18	0.18	20	CBHW8
CONNTBV100010MM	10	4000	72	13	18	13	63	23	0.33	30	CBHW10
CONNTBV100013MM	13	6700	88	19	22	17	79	28	0.7	20	CBHW13
CONNTBV100016MM	16	10000	103	21	29	21	106	33	1.4	12	CBHW16
CONNTBV100020MM	20	16000	115	30	35	25	118	42	2.14	8	CBHW20
CONNTBV100022MM	22	19000	161	34	39	25	148	51	4.15	6	CBHW22
CONNTBV100026MM	26	26500	190	40	46	30	175	60	6.7	4	CBHW26



# GRADE 100 COMPONENTS

LIFTING & MATERIALS HANDLING | LIFTING CHAIN & COMPONENTS

## BV-100 GRADE 100 HOOKS

**CAUTION**

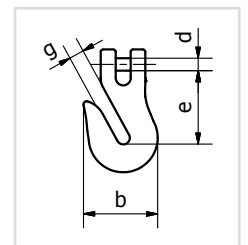
The design of the clevis shortening grab hooks allows for a quick visual check that the chain is seated in the hook's mouth correctly. The supported chain no longer contacts the bearing surface of the hook, due to the chain being supported by the side faces of the hook. Thus resulting in no deration of the rated capacity.



## GRADE 100 CLEVIS SHORTENING GRAB HOOKS 8MM - 22MM

### FEATURES AND BENEFITS

- Ideal for shortening chain length
- Supporting lugs either side to prevent chain link deformation
- High strength, versatile and low weight



STANDARDS  
AS3776 Lifting component for Grade 100 chain slings

UOM: EACH

CODE	CHAIN SIZE (MM)	WLL (KG)	e (MM)	b (MM)	d (MM)	g (MM)	APPROX WEIGHT (KG)	PACK QTY	REPLACEMENT LATCH KIT
HKCGRBV10008MM	8	2500	61	58	10	115	0.38	55	KBSW 8
HKCGRBV100010MM	10	4000	76	76	13	13	0.85	25	KBSW 10
HKCGRBV100013MM	13	6700	104	101	16	17	1.9	12	KBSW 13
HKCGRBV100016MM	16	10000	116	120	20	20	3.6	8	KBSW 16
HKCGRBV100020MM	20	16000	141	150	24	25	6.15	4	KBSW 19/20
HKCGRBV100022MM	22	19000	158	165	27	27	9	3	KBSW 22

GRADE 100 COMPONENTS

3



## GRADE 100 CLEVIS SLING HOOKS WITH LATCH 8MM - 22MM

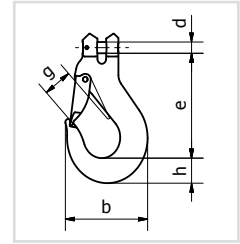
### FEATURES AND BENEFITS

- Ideal for heavy duty lifting applications
- Safety latch to minimise the risk of damage
- High strength, versatile and low weight
- Clevis pin for direct connection to chain without using connecting link

### STANDARDS

AS3776 Lifting component for Grade 100 chain slings

CODE	CHAIN SIZE (MM)	WLL (KG)	e (MM)	h (MM)	d (MM)	g (MM)	b (MM)	APPROX WEIGHT (KG)	PACK QTY	REPLACEMENT LATCH KIT
HKCSLBV100008MM	8	2500	95	28	10	26	90	0.6	30	SFGW7/8
HKCSLBV100010MM	10	4000	109	35	13	31	108	1.1	18	SFGW10
HKCSLBV100013MM	13	6700	136	41	16	39	131	2	10	SFGW13
HKCSLBV100016MM	16	10000	155	49	20	45	153	3.48	5	SFGW16
HKCSLBV100020MM	20	16000	184	53	24	53	177	5	2	SFGW20
HKCSLBV100022MM	22	19000	214	62	27	62	196	9	2	SFGW22



UOM: EACH



## GRADE 100 CLEVIS SELF LOCKING HOOK 8MM - 26MM

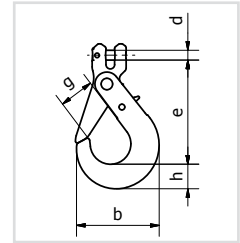
### FEATURES AND BENEFITS

- Self locking when hook is under load
- Ideal for heavy duty lifting applications
- Clevis pin for direct connection to chain without using connecting link

### STANDARDS

AS3776 Lifting component for Grade 100 chain slings

CODE	CHAIN SIZE (MM)	WLL (KG)	e (MM)	h (MM)	b (MM)	d (MM)	g (MM)	APPROX WEIGHT (KG)	PACK QTY	REPLACEMENT LATCH KIT
HKCSLBV100008MM	8	2500	123	26	88	10	34	0.9	25	VLHW7/8
HKCSLBV100010MM	10	4000	144	30	107	13	45	1.6	12	VLHW10
HKCSLBV100013MM	13	6700	180	40	138	16	52	2.9	6	VLHW13
HKCSLBV100016MM	16	10000	218	50	168	20	60	5.8	4	VLHW16
HKCSLBV100020MM	20	16000	260	62	194	24	70	10	3	VLHW20/22
HKCSLBV100022MM	22	19000	284	65	211	27	81	12.8	1	VLHW20/22
HKCSLBV100026MM	26	26500	339	79	253	33	100	21	1	VLHW26



UOM: EACH



## GRADE 100 EYE SHORTENING GRAB HOOK 8MM - 26MM

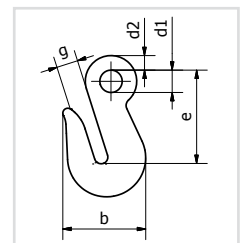
### FEATURES AND BENEFITS

- Ideal for shortening chain length
- Supporting lugs either side to prevent chain link deformation
- High strength, versatile and low weight

### STANDARDS

AS3776 Lifting component for Grade 100 chain slings

CODE	CHAIN SIZE (MM)	WLL (KG)	e (MM)	b (MM)	d1 (MM)	d2 (MM)	g (MM)	APPROX WEIGHT (KG)	PACK QTY
HKEGRBV100008MM	7-8	2500	71	58	20	12	11	0.4	80
HKEGRBV100010MM	10	4000	88	76	22	15	13	0.9	30
HKEGRBV100013MM	13	6700	113	101	26	18	17	1.8	15
HKEGRBV100016MM	16	10000	129	118	32	23	19	3.6	8
HKEGRBV100020MM	20	16000	151	150	36	27	25	6.15	5
HKEGRBV100022MM	22	19000	170	165	42	31	27	8.3	3
HKEGRBV100026MM	26	26500	201	195	50	37	32	13.8	2



UOM: EACH



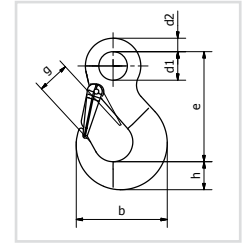
# GRADE 100 COMPONENTS



## GRADE 100 EYE SLING HOOK WITH LATCH 8MM - 26MM

### FEATURES AND BENEFITS

- Ideal for shortening chain length
- Supporting lugs either side to prevent chain link deformation
- High strength, versatile and low weight



### STANDARDS

AS3776 Lifting component for Grade 100 chain slings

UOM: EACH

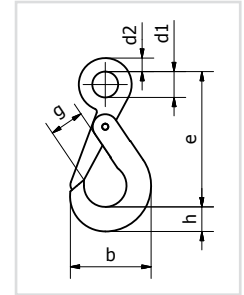
CODE	CHAIN SIZE (MM)	WLL (KG)	e (MM)	h (MM)	d1 (MM)	d2 (MM)	g (MM)	b (MM)	APPROX WEIGHT (KG)	PACK QTY	REPLACEMENT LATCH KIT
HKESFBV100008MM	7-8	2500	106	27	25	11	26	88	0.5	30	SFGW7/8
HKESFBV100010MM	10	4000	131	33	34	16	31	109	1.1	18	SFGW10
HKESFBV100013MM	13	6700	164	44	43	19	39	134	2.2	10	SFGW13
HKESFBV100016MM	16	10000	183	50	50	25	45	155	3.5	5	SFGW16
HKESFBV100020MM	20	16000	205	55	55	27	53	178	5.8	3	SFGW20



## GRADE 100 EYE SELF LOCKING HOOK 8MM - 22MM

### FEATURES AND BENEFITS

- Self locking when hook is under load
- Ideal for heavy duty lifting applications



### STANDARDS

AS3776 Lifting component for Grade 100 chain slings

UOM: EACH

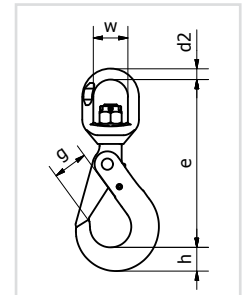
CODE	CHAIN SIZE (MM)	WLL (KG)	e (MM)	h (MM)	b (MM)	d1 (MM)	d2 (MM)	g (MM)	APPROX WEIGHT (KG)	PACK QTY	REPLACEMENT LATCH KIT
HKESLBV100008MM	7-8	2500	136	26	88	25	12	34	0.9	25	VLHW7/8
HKESLBV100010MM	10	4000	169	30	107	35	15	45	1.5	12	VLHW10
HKESLBV100013MM	13	6700	205	40	138	40	20	52	2.7	8	VLHW13
HKESLBV100016MM	16	10000	251	50	168	50	27	60	5.7	4	VLHW16
HKESLBV100020MM	20	16000	290	62	194	60	30	70	9.8	3	VLHW19-20
HKESLBV100022MM	22	19000	322	65	211	70	32	81	12.4	1	VLHW22



## GRADE 100 EYE SWIVEL SELF LOCKING HOOK 8MM - 16MM

### FEATURES AND BENEFITS

- Self locking when hook is under load
- Swivel rotation under load
- High strength, versatile and low weight



### STANDARDS

AS3776 Lifting component for Grade 100 chain slings

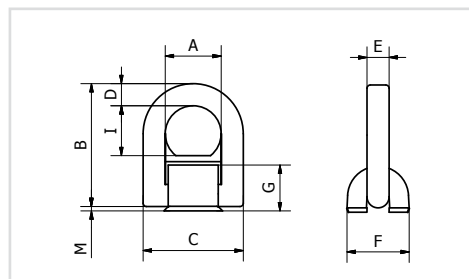
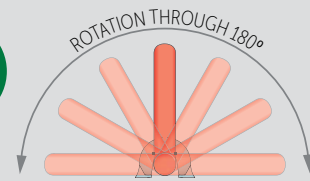
UOM: EACH

CODE	CHAIN SIZE (MM)	WLL (KG)	d2 (MM)	c (MM)	h (MM)	g (MM)	w (MM)	APPROX WEIGHT (KG)	PACK QTY	REPLACEMENT LATCH KIT
HKESWBV100006MM	6	1400	13	160	20	28	35	0.6	20	VLHW7/8
HKESWBV100008MM	8	2500	13	181	26	34	35	1.1	15	VLHW10
HKESWBV100010MM	10	4000	16	218	30	45	42	2	8	VLHW13
HKESWBV100013MM	13	6700	20	269	40	52	49	4	6	VLHW16
HKESWBV100016MM	16	10000	24	319	50	60	60	6.8	2	VLHW19-20



## GRADE 100 WELD-ON LIFTING & LASHING RINGS

TEST CERTIFICATE AVAILABLE



## GRADE 100 WELD-ON LIFTING POINTS 1.5T - 16T

### FEATURES AND BENEFITS

- Grade 100 Quality Alloy Steel, quenched and tempered
- Offers a full working load limit at all angles
- Extremely high strength attachment
- Lifting ring and welding block are both marked for accurate traceability
- Easily welded into required position with the aid of height lugs on the weld block
- Lifting ring has durable powder coated baked enamel finish

### APPLICATIONS

Suitable for mining, offshore exploration, road or rail transport and maritime industries.

UOM: EACH

CODE	WLL TONNES (KG)	A (MM)	B (MM)	C (MM)	D (MM)	E (MM)	F (MM)	G (MM)	I (MM)	M (MM)	WELD MM HV+AL	WEIGHT (KG)
BALPV015	1500	38	79	66	14	13.5	32	25	31	2	HV5+3	0.40
BALPV025	2500	45	92.5	77	16	13.5	36	27	38	3.5	HV7+3	0.60
BALPV040	4000	51	102	87	18	16.5	42	32	40.5	2	HV8+3	0.90
BALPV067	6700	67	138	115	24	22.5	61	44	55	4	HV12+4	2.0
BALPV100	10000	67.5	142	129	26.5	57.5	75	53	57.5	4	HV16+4	3.0
BALPV160	16000	100	216.4	190	40	26	95	69	85	5	HV25+6	6.9



# GRADE 100 CHAIN SLINGS

## GRABIQ GRADE 100 CHAIN SLINGS

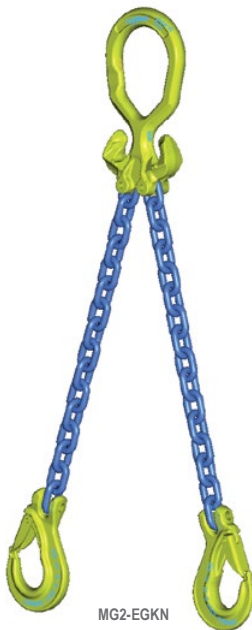
GrabIQ all-inclusive chain slings are ideal for coupling, shortening and lifting in Grade 100.

The components are made from special quenched and tempered alloy steel, a guarantee for very high strength, low weight, high wear resistance and long life.

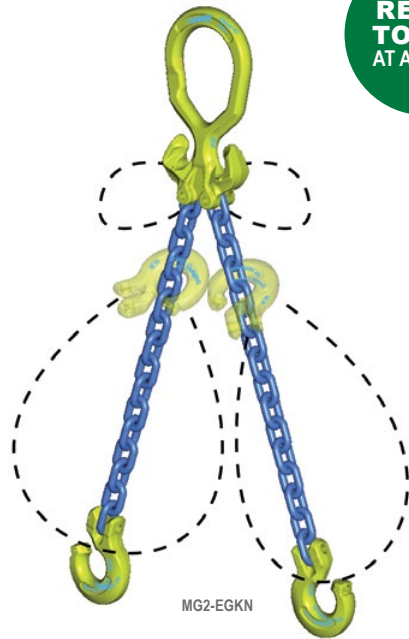
All lifting components are uniformly marked with equivalent chain size, grade, manufacturer's designation and name for positive identification.



MG1-GBK



MG2-EGKN



MG2-EGKN

**READY TO USE AT ARRIVAL**

## PRE-ASSEMBLED CHAIN SLING 6MM - 10MM

### FEATURES AND BENEFITS

- Pre assembled chain Sling in a box
- 25% higher WLL than Grade 80 chain slings

STANDARDS  
AS3775.2

UOM: EACH

CODE	WLL (T)	LENGTH (M)	CHOKED WLL	WEIGHT (KG)
MG1-GBK-6-10	1.5	2	-	4.1
MG1-GBK-8-10	2.6	3	-	6.4
MG1-GBK-10-10	4.0	3	-	10.1
MG1-EGKN-6-10	1.5	2	-	2.8
MG1-EGKN-8-10	2.6	3	-	6
MG1-EGKN-10-10	4.0	3	-	9.7
MG2-EGKN-6-10	2.1	2	-	7.1
MG2-EGKN-8-10	3.5	3	-	11.7
MG2-EGKN-10-10	5.6	3	-	17.6
MG2-GBK-6-10	2.1	2	-	7.3
MG2-GBK-8-10	3.5	3	-	12.3
MG2-GBK-10-10	5.6	3	-	18.9
MG2-CL-6-10	2.1	6	1.6	12.4
MG2-CL-8-10	3.5	6	2.7	21.8
MG2-CL-10-10	5.6	6	4.4	34.9



## GRABIQ GRADE 100 CHAIN

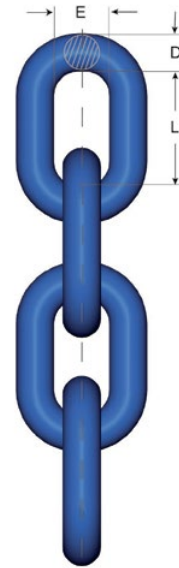
### FEATURES AND BENEFITS

- Ideal for heavy duty lifting applications
- 25% stronger than Grade 80 equivalent
- Quality testing is done throughout the manufacturing process

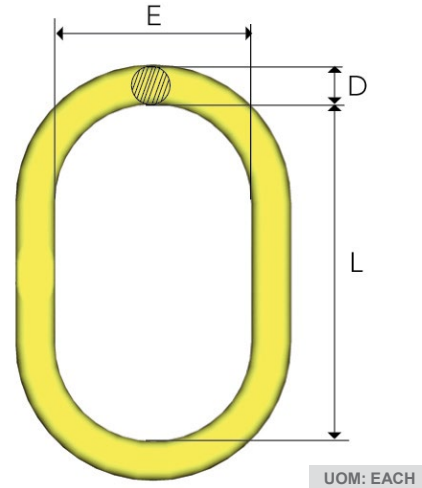
STANDARDS  
AS2321

UOM: /METRE

CODE	LENGTH	WLL (T)	D NOM (MM)	L (MM)	E (MM)	WEIGHT (KG/M)	MPF kN	BREAKING FORCE kN
CHAINGQ10006MM	1 x 200 m	1.5	6	18	8.5	0.8	36.8	58.9
CHAINGQ10008MM	1 x 200 m	2.6	8	24	1.4	1.4	63	102
CHAINGQ10010MM	1 x 100 m	4.0	10	30	2.3	2.3	98	158
CHAINGQ10013MM	1 x 100 m	6.8	13	39	3.8	3.8	166	268
CHAINGQ10016MM	1 x 100 m	10.3	16	48	5.6	5.6	251	402
CHAINGQ10020MM	1 x 50 m	16.0	20	60	9.4	9.4	393	630
CHAINGQ10022MM	1 x 50 m	20.0	22	66	11.9	11.9	491	785
CHAINGQ10026MM	1 x 50 m	27.0	26	78	16.4	16.4	664	1062
CHAINGQ10032MM	1 x 25 m	40.0	32	96	25.8	25.8	981	1610



# GRADE 100 COMPONENTS



UOM: EACH

## GRADE 100 MASTER LINK MF

### FEATURES AND BENEFITS

- For 1-, 2-, 3- and 4-leg slings. Designed for use with CL, CLD, CG and CGD
- 3 and 4 leg chain slings require CLD / CGD

### STANDARDS

AS3776 Lifting component for Grade 100 chain slings

CODE	WLL (T) (SF 5:1)		FOR CHAIN SIZE (MM)			DIMENSIONS MM			WEIGHT (KG)
			1 LEG	2 LEG	3-4 LEG	L	E	D	
MF-6-10	1.5	1.5	6			100	60	11	0.2
MF-86-10	2.5	3.2	6, 8	6	-	125	70	14	0.4
MF-108-10	4.0	5.2	10	8	6	140	80	17	0.8
MF-1310-10	7.5	8.0	13	10	8	160	95	22	1.5
MF-1613-10	10.0	13.6	16	13	10	190	110	28	2.8
MF-2016-10	17.0	20.6	20	16	13	240	140	34	5.2
MF-2220-10	25.0	30.9	22	20	16	250	150	40	7.3

Fulfills requirements in: EN 1677:2008 (WLL +25%), ASTM A952/A952M, AS 3775:2014 and AS 3776:2015.



## GRADE 100 MASTER LINK M

### FEATURES AND BENEFITS

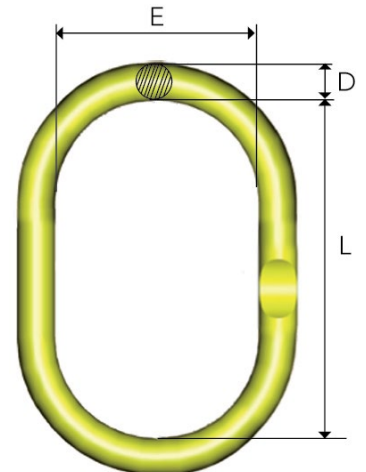
- When used in a chain sling assemblies use refer to the WLL Chart for relevant chain size
- Suitable for 1 & 2 leg chain assemblies

### STANDARDS

AS3776 Lifting component for Grade 100 chain slings

UOM: EACH

CODE	WLL (T) (SF 5:1)		DIMENSIONS MM			WEIGHT (KG)
			L	E	D	
LINKSGQ10008MM	2.5	3.2	125	70	14	0.4
LINKSGQ10010MM	4.0	5.2	140	80	17	0.8
LINKSGQ10013MM	7.5	8.0	160	95	22	1.5
LINKSGQ10016MM	10.0	13.6	190	110	28	2.8
LINKSGQ10020MM	17.0	20.6	240	140	34	5.2
LINKSGQ10022MM	25.0	30.9	250	150	40	7.3
LINKSGQ10026MM	28.0	32.0	250	150	42	8.7
LINKSGQ10032MM	43.0	46.6	300	200	50	14.8
LINKSGQ10036MM	56.0	65.0	350	200	55	20.7



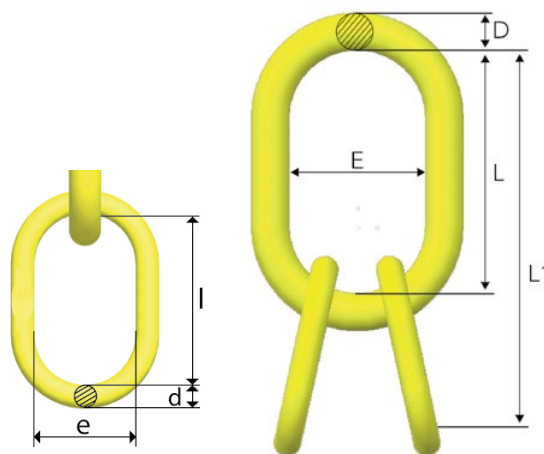
## GRADE 100 MASTER LINK WITH SUBLINKS MT

### FEATURES AND BENEFITS

- Designed for use with chain or wire rope
- For 3- and 4-leg slings

### STANDARDS

AS3776 Lifting component for Grade 100 chainslings



CODE	WLL (T) (SF 5:1)		DIMENSIONS MM						WEIGHT (KG)
			L1	L	E	I	e	d	
LINKMGQ10006MM	3.5	5.0	270	150	90	120	70	14	1.8
LINKMGQ10008MM	5.2	8.0	300	160	95	140	80	17	3.0
LINKMGQ10010MM	11.5	16.0	360	200	120	160	95	22	6.4
LINKMGQ10013MM	17.0	26.0	440	250	150	190	110	28	14.2
LINKMGQ10016MM	28.0	35.0	500	300	200	200	120	32	23
LINKMGQ10020MM	35.0	50.0	550	300	200	250	150	40	31.5
LINKMGQ10022MM	53.0	75.0	610	350	200	260	140	45	46
LINKMGQ10026MM	70.0	100.0	730	450	250	280	160	50	71
LINKMGQ10032MM	90.0	125.0	730	450	260	280	160	55	91

Fulfills requirements in: EN 1677 (WLL +25%), ASTM A952/A952M, AS 3775.

Flattened section on the sublinks for sizes up to MT-16-10.

## GRADE 100 COUPLING LINK G

### FEATURES AND BENEFITS

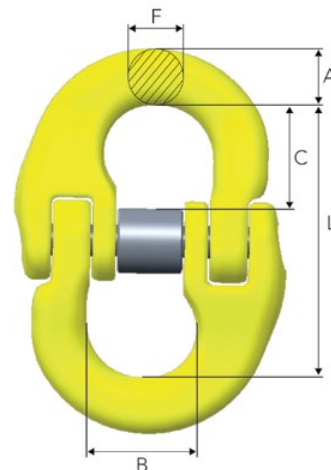
- Ideal for heavy duty lifting applications
- Designed for 3 & 4 leg applications
- 25% Stronger than Grade 80 equivalent

### STANDARDS

AS3776 Lifting component for Grade 100 chain slings

UOM: EACH

CODE	WLL (T) (SF 4:1)	DIMENSIONS MM					WEIGHT (KG)
		L	B	F	A	C	
CONNTGQ10006MM	1.5	45	15	7	8	16	0.1
CONNTGQ10008MM	2.6	56	18	9	11	22	0.2
CONNTGQ10010MM	4.0	68	25	12	13	26	0.3
CONNTGQ10013MM	6.8	89	29	15	17	33	0.7
CONNTGQ10016MM	10.3	106	36	19	20	40	1.4
CONNTGQ10020MM	16.0	125	43	23	26	44	2.2
CONNTGQ10022MM	20.0	152	50	26	28	59	3.6
CONNTGQ10026MM	27.3	161	58	32	34	61	5.7
CONNTGQ10032MM	40.0	200	70	38	40	77	9.5



Fulfills requirements in: EN 1677(WLL +25%), ASTM A952/A952M, AS 3775.

Flattened section on the sublinks for sizes up to MT-16-10.

- When using in chain assemblies use the WLL for relevant chain size in the chart



# GRADE 100 COMPONENTS



## GRADE 100 CLEVIS GRAB HOOK GG

### FEATURES AND BENEFITS

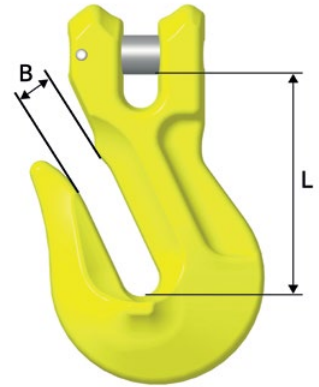
- Clevis pin for direct connection to chain without using connecting link
- Supporting lugs either side to prevent chain link deformation
- No reduction of the working load limit (WLL) 8-20mm

### STANDARDS

EN 1677 (WLL +25%), ASTM A952/A952M and AS 3776

UOM: EACH

CODE	WLL	DIMENSIONS MM		WEIGHT
	t	L	B	KG
HKCGRGQ10006MM	1.5	54	8	0.2
HKCGRGQ10008MM	2.6	57	10	0.4
HKCGRGQ10010MM	4.0	76	12	0.9
HKCGRGQ10013MM	6.8	97	16	1.8
HKCGRGQ10016MM	10.3	114	20	3.1
HKCGRGQ10020MM	16.0	147	26	7.0



## GRADE 100 CLEVIS GRAB HOOK GG WITH LOCKING PIN

### FEATURES AND BENEFITS

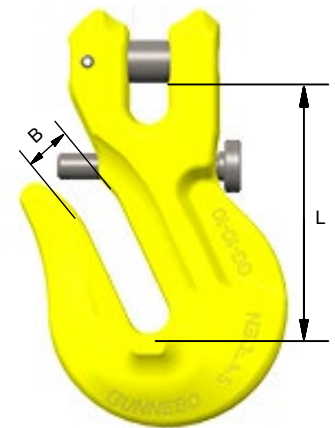
- Clevis shortening hook with locking pin for extra safety.
- No reduction of working load limit, thanks to supporting cradle lugs on either side of hook to prevent chain link deformation.

### STANDARDS

EN 1677 (WLL +25%), ASTM A952/A952M and AS 3776

UOM: EACH

CODE	WLL (T) (SF 4:1)	DIMENSIONS MM		WEIGHT
		L	B	KG
HKGRPGQ10008MM	2.6	57	10	0.4
HKGRPGQ10010MM	4.0	77	12	0.9
HKGRPGQ10013MM	6.8	97	16	1.9
HKGRPGQ10016MM	10.3	114	20	3.2



## GRADE 100 CLEVIS GRAB HOOK OG

### FEATURES AND BENEFITS

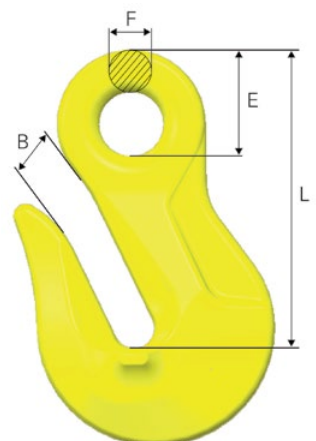
- Eye shortening hook
- No reduction of working load limit, thanks to supporting lugs on either side of hook to prevent chain link deformation

### STANDARDS

EN 1677 (WLL +25%), ASTM A952/A952M and AS 3776

UOM: EACH

CODE	WLL (T) (SF 4:1)	DIMENSIONS MM				WEIGHT (KG)
		L	B	E	F	
HKEGRGQ10008MM	2.6	65	10	17	10	0.3
HKEGRGQ10010MM	4.0	85	12	20	12	0.7
HKEGRGQ10013MM	6.8	104	16	26	16	1.6
HKEGRGQ10016MM	10.3	131	20	32	19	2.8
HKEGRGQ10020MM	16.0	167	26	41	23	6.1
HKEGRGQ10022MM	20.0	187	26	46	32	8.6
HKEGRGQ10026MM	27.3	228	32	55	38	14
HKEGRGQ10032MM	40.0	229	40	50	27	20.7





## GRADE 100 CLEVIS SELFLOCKING GRIP LATCH HOOK TYPE GBK

### FEATURES AND BENEFITS

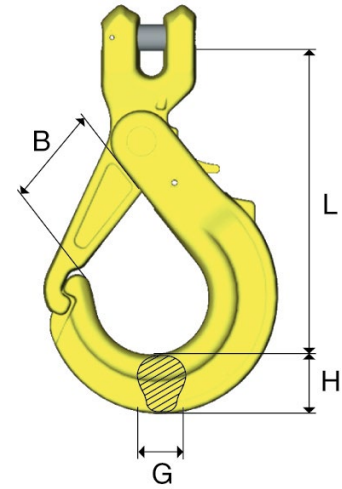
- Grip latch to reduce side loading
- Ideal for heavy duty lifting applications
- Clevis pin for direct connection to chain without using connecting link

### STANDARDS

EN 1677 (WLL +25%), ASTM A952/A952M and AS 3776

UOM: EACH

CODE	WLL (T) (SF 4:1)	DIMENSIONS MM				WEIGHT (KG)
		L	B	G	H	
HKSLGGQ10006MM	1.5	87	26	15	17	0.4
HKSLGGQ10008MM	2.0	114	36	20	22	0.5
HKSLGGQ10010MM	2.6	119	36	20	22	0.8
HKSLGGQ10013MM	4.0	150	47	22	29	1.4
HKSLGGQ10016MM	6.8	172	53	29	38	2.7
HKSLGGQ10020MM	10.3	208	68	30	45	4.4



## GRADE 100 CLEVIS SELFLOCKING HOOK TYPE BKG

### FEATURES AND BENEFITS

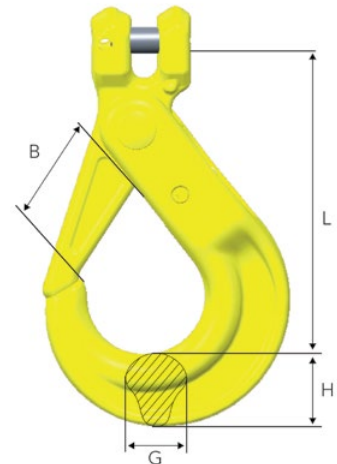
- Selflocking when hook is under load
- Ideal for heavy duty lifting applications
- Clevis pin for direct connection to chain without using connecting link

### STANDARDS

EN 1677 (WLL +25%), ASTM A952/A952M and AS 3776

UOM: EACH

CODE	WLL (T) (SF 4:1)	DIMENSIONS MM				WEIGHT (KG)
		L	B	G	H	
HKCSLGQ10006MM	1.5	91	29	15	21	0.5
HKCSLGQ10008MM	2.6	121	37	17	26	0.9
HKCSLGQ10010MM	4.0	144	45	21	31	1.5
HKCSLGQ10013MM	6.8	180	55	30	40	3.0
HKCSLGQ10016MM	10.3	219	62	37	50	5.5
HKCSLGQ10020MM	16.0	240	68	46	64	9.6



## GRADE 100 EYE SELFLOCKING GRIP LATCH HOOK TYPE OBK

### FEATURES AND BENEFITS

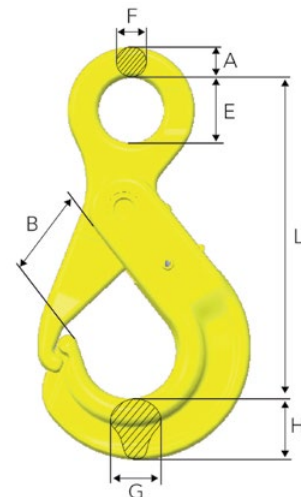
- Selflocking when hook is under load
- Ideal for heavy duty lifting applications
- Grip latch to reduce side loading

### STANDARDS

EN 1677 (WLL +25%), ASTM A952/A952M and AS 3776

UOM: EACH

CODE	WLL (T) (SF 4:1)	DIMENSIONS MM							WEIGHT (KG)
		A	L	B	E	F	G	H	
HKELGGQ10006MM	1.5	12	103	26	22	9	15	17	0.4
HKELGGQ10008MM	2.6	14	139	37	28	10	20	22	0.8
HKELGGQ10010MM	4.0	16	170	47	34	13	22	29	1.3
HKELGGQ10013MM	6.8	21	206	53	44	15	29	38	2.6
HKELGGQ10016MM	10.3	26	251	68	56	19	29	45	4.4
HKELGGQ10020MM	16.0	28	293	74	60	22	44	56	7.3



# GRADE 100 COMPONENTS



## GRADE 100 SWIVEL SAFETY HOOK BKL

### FEATURES AND BENEFITS

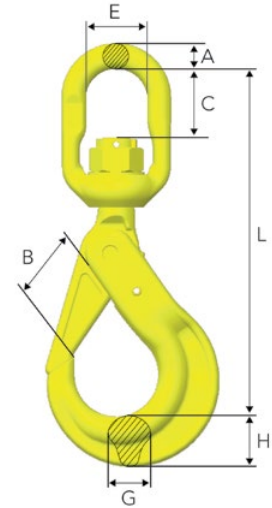
- Safety hook with swivel for improved positioning (360° rotation)

### STANDARDS

EN 1677 (WLL +25%), ASTM A952/A952M and AS 3776

UOM: EACH

CODE	WLL (T) (SF 4:1)	DIMENSIONS MM							WEIGHT (KG)
		L	B	C	E	A	G	H	
Z101114	1.5	149	29	23	33	11	15	21	0.7
Z101104	2.6	183	37	27	38	12	17	26	1.2
Z101028	4.0	218	45	37	44	15	21	31	2.0
Z101036	6.8	282	55	49	48	19	30	40	4.0
Z101044	10.3	341	62	65	61	25	37	50	7.2
Z101093	16.0	368	68	70	72	31	44	62	11.4



## GRADE 100 SWIVEL SELFLOCKING HOOK TYPE BKLK

### FEATURES AND BENEFITS

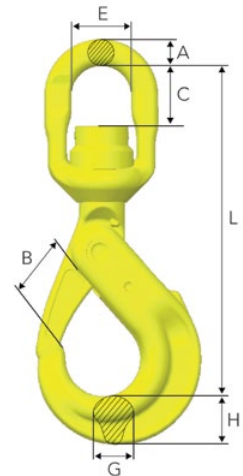
- Selflocking when hook is under load
- Ball bearing swivel allows load to be easily rotated
- 360° rotation under full Working Load

### STANDARDS

EN 1677 (WLL +25%), ASTM A952/A952M and AS 3776

UOM: EACH

CODE	WLL (T) (SF 4:1)	DIMENSIONS MM							WEIGHT (KG)
		L	B	C	E	A	G	H	
Z101116	1.5	149	29	24	33	11	15	21	0.7
Z101106	2.6	183	37	27	38	12	17	26	1.2
Z101030	4.0	218	45	35	44	15	21	31	2.0
Z101038	6.8	280	55	45	48	19	30	40	4.0
Z101046	10.3	339	62	62	61	25	37	50	7.3
Z101095	16.0	368	68	68	72	31	44	62	11.5
Z101294	20.0	436	79	79	80	35	50	62	16.8
Z101295	27.3	486	100	100	102	45	54	68	26.0



For larger sizes, see Classic Grade 80



## GRADE 100 SWIVEL SAFETY HOOK WITH GRIPLATCH LKBK

### FEATURES AND BENEFITS

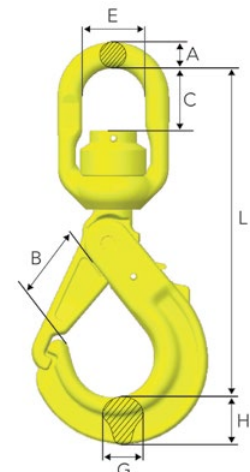
- Safety hook with griplatch and ball-bearing for 360° rotation under full WLL

### STANDARDS

EN 1677 (WLL +25%), ASTM A952/A952M and AS 3776

UOM: EACH

CODE	WLL (T) (SF 4:1)	DIMENSIONS MM							WEIGHT (KG)
		L	B	C	E	A	G	H	
Z100980	2.6	176	37	27	38	12	20	22	1.1
Z100962	4.0	213	47	35	44	15	22	29	1.9
Z100997	6.8	261	53	43	48	19	29	38	3.6
Z100999	10.3	323	68	61	61	25	30	45	6.2





## GRADE 100 SLING HOOK EGKN

### FEATURES AND BENEFITS

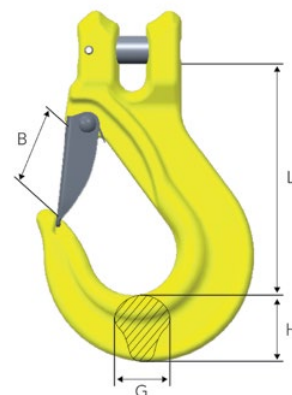
- Sling hook with latch

### STANDARDS

EN 1677 (WLL +25%), ASTM A952/A952M and AS 3776

UOM: EACH

CODE	WLL (T) (SF 4:1)	DIMENSIONS MM				WEIGHT (KG)
		L	B	G	H	
HKCSFGQ10006MM	1.5	86	25	17	20	0.4
HKCSFGQ10008MM	2.6	95	28	17	23	0.5
HKCSFGQ10010MM	4.0	121	35	23	31	1.1
HKCSFGQ10013MM	6.8	145	42	28	38	2.2
HKCSFGQ10016MM	10.3	170	53	36	46	4.0
HKCSFGQ10020MM	16.0	209	65	42	60	7.6



## GRADE 100 SWIVEL LATCH HOOK LKN

### FEATURES AND BENEFITS

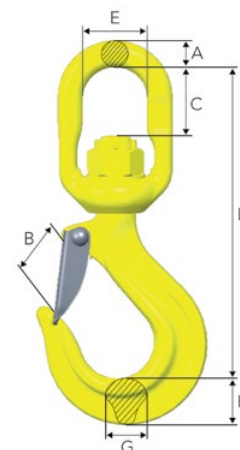
- Sling hook with swivel for improved positioning (360° rotation)

### STANDARDS

EN 1677 (WLL +25%), ASTM A952/A952M and AS 3776

UOM: EACH

CODE	WLL (T) (SF 4:1)	FOR CHAIN DIM. MM	DIMENSIONS MM							WEIGHT (KG)
			L	B	C	E	A	G	H	
Z101345	2.6	7, 8	155	28	28	38	12	18	24	0.8
Z101346	4.0	10	192	35	37	44	15	23	31	1.5
Z101347	6.8	13	238	40	47	48	19	28	38	3.1
Z101348	10.3	16	295	53	65	61	25	34	43	5.3



# GRADE 120 CHAIN SLINGS

## GRADE 120 LIFTING CHAIN & COMPONENTS



### RUD ICE 120 LIFTING CHAIN & FITTINGS

RUD lifting and lashing chains and components offer superior wear resistance and provide multi-directional load and lift options that maximise safety without compromising on strength.

RUD ICE 120 chain and fittings offer considerable weight deduction, improved ergonomics, easier assembly and increased safety

### ICE 120 DELIVERS IMPROVED PERFORMANCE

ICE 120 offers a higher level of performance in notch impact strength, breaking strain and fatigue strength - all at a full chain diameter smaller than Grade 80 equivalents:

- 60% increase in Working Load Limit which means that the same load can now be lifted by a chain one full diameter size smaller;
- 30% increase in surface hardness which means replacement costs can be reduced;
- 30% lighter chain which is easier and safer to handle, and more economical to use;
- Increase in notch impact strength to more than 55 Joule which guarantees safe use in temperatures from -60 °C to +300 °C;
- A special fluorescent purple powder coating which permanently changes colour when the chain has been exposed to extreme temperatures.

### AN EXTENSIVE RANGE OF CHAIN SIZES AND COMPONENTS

ICE 120 chains are available in sizes from 4 mm to 16 mm; with a full range of master links, hooks, connectors, shortening devices supplied. At Bunzl Safety we can provide fully assembled chain slings to your specific requirements.

RUD ICE 120 Chain and Components conform fully to the requirements of EN 818 and 1677 for dynamic applications of 20,000 load cycles, with 50% over load.

	The high quality ICE-chains and components get a special ICE-Pink-Powder Coating (colour: traffic purple).	Due to the double coating system (pre-treatment and ICE-Pink-Powder Coating) there is a considerably better surface protection than with an oiled or galvanized finished chain.																		
	Due to FEM-supported design construction optimising, up to 25 % less weight than the next larger hook in Grade 80 with the same throat opening and base thickness.	<table border="1"> <tr> <td>Grade</td> <td>8</td> <td>12</td> </tr> <tr> <td>Chain Ø</td> <td>13</td> <td>10</td> </tr> <tr> <td>WLL/kg</td> <td>5000</td> <td>5000</td> </tr> <tr> <td>Throat opening/mm</td> <td>40</td> <td>40</td> </tr> <tr> <td>Base thickness/mm</td> <td>37</td> <td>37</td> </tr> <tr> <td>Weight/kg</td> <td>2.5</td> <td>1.7</td> </tr> </table>	Grade	8	12	Chain Ø	13	10	WLL/kg	5000	5000	Throat opening/mm	40	40	Base thickness/mm	37	37	Weight/kg	2.5	1.7
Grade	8	12																		
Chain Ø	13	10																		
WLL/kg	5000	5000																		
Throat opening/mm	40	40																		
Base thickness/mm	37	37																		
Weight/kg	2.5	1.7																		
	<b>Fool-proof:</b> <ul style="list-style-type: none"> <li>• Every link is stamped with ICE on the reverse side</li> <li>• Every component is clearly marked with ICE</li> </ul>	<ul style="list-style-type: none"> <li>• Colour: ICE-Pink → traffic purple</li> <li>• Clear distinction compared with VIP-Magenta-Pink Grade 100 and Grade 80 Red</li> </ul>																		
	• Master links with a 40° sloped flattening...	... only with ICE – suitable for the assembly of the ICE-Connector and the ICE-Shortening Coupler!																		



## WORKING LOAD LIMITS GRADE 120

SINGLE LEG SLINGS					2,3 OR 4 LEG SLINGS			2 LEG SLINGS	
CHAIN SIZE (MM)	STRAIGHT SLING	ADJUSTABLE SLING	REEVED SLING	BASKET SLING MAX 60°	STRAIGHT SLING			REEVED SLING	BASKET SLING MAX 60°
					60°	90°	120°		
4	0.8	0.8	0.6	1	1.4	1.1	0.8	1	1.8
6	1.8	1.8	1.4	2.3	3.1	2.5	1.8	2.3	4.1
8	3.0	3.0	2.3	3.9	5.2	4.2	3.0	3.9	6.8
10	5.0	5.0	3.8	6.5	8.7	7.1	5.0	6.5	11.3
13	8.0	8.0	6.0	10.4	13.8	11.3	8.0	10.4	18.0
16	12.5	12.5	9.4	16.3	21.6	17.6	12.5	16.3	28.1

Working load limit in tonnes of 1000kg under general conditions of use. Some grab hooks derate the W.L.L. by 25%. Shortening hooks and cradle grab hooks may not derate the W.L.L. Advice should be sought from the manufacturer.

## RUD ICE G120 CHAIN SLINGS

As with the Grade 100 Pre-made Chain Slings, Bunzl Safety can provide RUD Grade 120 chain slings made to order for your convenience.

The RUD Grade 120 Chain has a more intelligent profile which increases both fatigue and bending resistance.

The Grade 120 Chain Slings conform to EN818 and 1677.

**ICE**  
120



I	= Innovative
C	= Chain
E	= Evolution



## ICE GRADE 120 ASSEMBLED CHAIN SLINGS/CLEVIS SLING HOOK 4MM - 16MM

### FEATURES AND BENEFITS

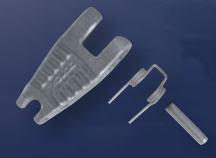
- 60% increase in Working Load Limit than Grade 80
- 30% lighter chain than Grade 80
- Temperature resistant -60° to + 300°

STANDARDS  
CONFORMS TO EN 818 & 1678

CHAIN SIZE (MM)	NO. OF LEGS	WLL (T)	LEG LENGTH (M)
4	1	0.8	1
6	1	1.8	1
6	1	1.8	2
8	1	3.0	1
8	1	3.0	2
8	1	3.0	3
10	1	5.0	1
10	1	5.0	2
10	1	5.0	3
13	1	8.0	3
13	1	8.0	6
16	1	12.5	3
4	2	1.4 @ 60°	2
6	2	3.1 @ 60°	1
6	2	3.1 @ 60°	2
8	2	5.2 @ 60°	1
8	2	5.2 @ 60°	2
8	2	5.2 @ 60°	3
10	2	8.6 @ 60°	1
10	2	8.6 @ 60°	2
10	2	8.6 @ 60°	3
10	2	8.6 @ 60°	4
10	2	8.6 @ 60°	6
13	2	13.8 @ 60°	3
13	2	13.8 @ 60°	6
16	2	21.6 @ 60°	6







## GRADE 60 LIFTING CHAIN & COMPONENTS

Cromox Chain Slings and Accessories from Ketten Walder provide safety for demanding lifting and heavy-duty transports with superior protection against corrosion in harsh environments and increased longevity. Cromox chain slings are designed in Germany for superior safety and durability.

**CROMOX®**

### GRADE 60 STAINLESS STEEL CHAIN SLINGS

#### RING-AND HOOK-ENDED SLINGS SIMILAR DIN 5688-1 GRADE 60

METHOD OF LIFTING ANGLE OF INCLINATION	WILL IN (T)						
	1 LEG		2-LEG, 3-LEG & 4-LEG				
	DIRECT	TIED	DIRECT 60°	DIRECT 90°	TIED 90°	DIRECT 120°	TIED 120°
Nominal chain thickness acc. to DIN 5687							
4	0.40	0.30	0.65	0.55	0.45	0.40	0.30
5	0.63	0.50	1.05	0.85	0.70	0.63	0.50
6	0.90	0.70	1.55	1.25	1.00	0.90	0.70
7	1.25	1.00	2.15	1.75	1.40	1.25	1.00
8	1.55	1.20	2.65	2.15	1.70	1.55	1.20
10	2.45	1.95	4.20	3.45	2.70	2.45	1.95
13	3.85	3.05	6.65	5.40	4.30	3.85	3.05
16	6.00	4.80	10.35	8.40	6.70	6.00	4.80
18	8.00	6.40	13.80	11.20	8.95	8.00	6.40
The above-mentioned working load limits correspond approximately to the following load factors:							
	1.00	0.80	1.73	1.4	1.12	1.00	0.80
The strain must be reduced to 50 % of the W.L.L. for unbalanced lifting.							

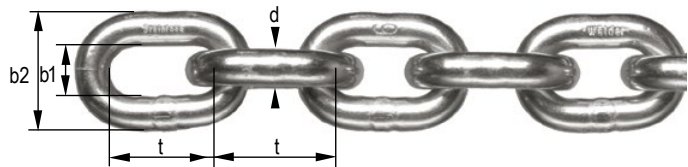
**CROMOX®**

### GRADE 60 STAINLESS STEEL LIFTING CHAIN 5MM - 16MM

#### FEATURES AND BENEFITS

- Suitable for 1 leg & 2 leg chain assemblies
- Electrolytic polished finish provides superior protection in harsh environments
- Highly resistant to corrosion
- Increased longevity
- Made in Germany

STANDARDS  
BRIGHT POLISHED AISI 316L



UOM: /METRE

TYPE	CHAIN WILL	DIMENSIONS MM				WEIGHT
	t	d	t	b <sub>1</sub> MIN	b <sub>2</sub> MAX	KG
*CK 5	0.63	5.0	15.0	6.5	18.5	0.540
KW-CK6	0.90	6.0	18.0	7.8	22.2	0.800
KW-CK7	1.25	7.0	21.0	9.1	25.9	1.100
KW-CK8	1.55	8.0	24.0	10.4	29.6	1.400
KW-CK10	2.45	10.0	30.0	13.0	37.0	2.200
KW-CK13	3.85	13.0	39.0	16.9	48.1	3.800
KW-CK16	6.00	16.0	48.0	20.8	59.2	5.700

\*Not stocked. Available on Request.



# GRADE 60 COMPONENTS

**CROMOX**<sup>®</sup>

LIFTING & MATERIALS HANDLING | LIFTING CHAIN & COMPONENTS

## GRADE 60 OBLONG MASTER CAGF SAND BLASTED 10MM - 36MM

### FEATURES AND BENEFITS

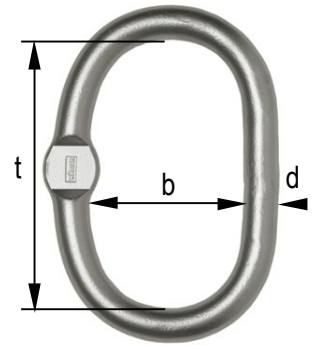
- Suitable for 1 leg & 2 leg chain assemblies
- Highly resistant to corrosion
- Increased longevity
- Grade 60 Stainless Steel
- Made in Germany

STANDARDS  
SAND BLASTED AISI 318LN

UOM: EACH

TYPE	WILL		FOR CHAIN		DIMENSIONS MM			WEIGHT
	t		1 LEG	2 LEG 90°	d	t	b	KG
*KW-CAGF10	0.63		5	4	10	80	50	0.150
KW-CAGF13	1.55		6/7/8	5/6	13	110	60	0.340
KW-CAGF16	2.45		10	7/8	16	110	60	0.530
KW-CAGF22	6.00		13/16	13	22	160	90	1.500

\*On Request. \*Angle of indication 90°



**CROMOX**<sup>®</sup>

## GRADE 60 SUB-ASSEMBLY CAKF SAND BLASTED 10MM - 36MM

### FEATURES AND BENEFITS

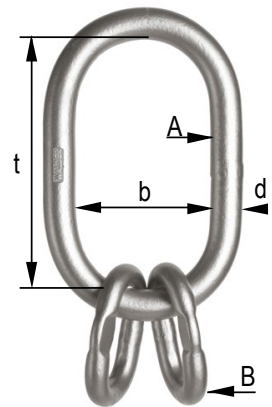
- Suitable for 3 leg & 4 leg chain assemblies
- Increased longevity
- Made in Germany

STANDARDS  
SAND BLASTED AISI 318LN

UOM: EACH

TYPE	WILL		FOR CHAIN	DIMENSIONS MM			WEIGHT
	90°	120°		d	t	b	
*CAKF13/10	1.25	0.90	5	A 13 / B 10	110 / 44	60 / 25	0.520
KW-CAKF16/13	2.50	1.80	6	A 16 / B 13	110 / 54	60 / 25	0.970
KW-CAKF18/16	3.15	2.25	7/8	A 18 / B 16	135 / 70	75 / 34	1.600
KW-CAKF22/16	5.00	3.60	10	A 22 / B 18	160 / 85	90 / 40	2.760
*CAKF26/22	8.00	5.70	13	A 26 / B 22	180 / 115	100 / 50	4.450
*CAKF32/26	10.00	7.50	16	A 32 / B 26	200 / 140	110 / 65	7.550

\*On Request.



GRADE 60 COMPONENTS

3





## GRADE 60 CLEVIS HOOKS CGHF WITH SAFETY LATCH SAND BLASTED 5MM - 16MM

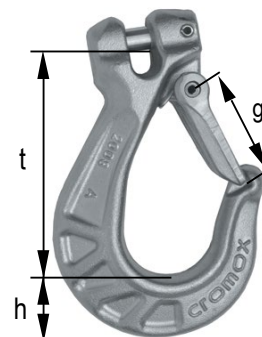
### FEATURES AND BENEFITS

- Safety latch to minimise risk of damage

STANDARDS  
SAND BLASTED AISI 318LN

UOM: EACH

TYPE	WILL	DIMENSIONS MM			WEIGHT
	t	t	g	h	KG
*CGHF 05	0.60	79	25	22	0.400
KW-CGHF 06	0.90	78	25	22	0.400
KW-CGHF07/08	1.50	97	32	28	0.760
KW-CGHF10	2.45	121	41	34	1.440



## GRADE 60 EYE HOOKS COHF WITH SAFETY LATCH SAND BLASTED 4MM - 18MM

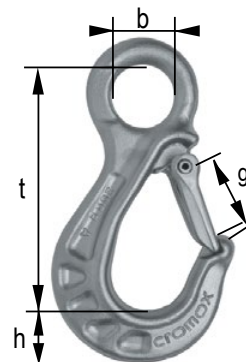
### FEATURES AND BENEFITS

- Safety latch to minimise risk of damage

STANDARDS  
SAND BLASTED AISI 318LN

UOM: EACH

TYPE	WILL	DIMENSIONS MM				WEIGHT
	t	t	g	b	h	KG
KW-COHF05/06	0.90	100	25	25	22	0.350
KW-COHF07/08	1.55	126	32	27	28	0.790
KW-COHF10	2.45	160	39	37	34	1.370
KW-COHF13	3.85	190	51	48	45	3.000
*COHF16	6.00	230	66	55	51	4.800



## GRADE 60 SELF LOCKING CLEVIS HOOKS CGSL 4/5MM - 10MM

### FEATURES AND BENEFITS

- High WLL
- Exchangeable safety mechanism
- Best corrosion resistant
- Grade 60 Stainless Steel Selflocking Hook
- Made in Germany

STANDARDS  
SAND BLASTED AISI 318LN

UOM: EACH

TYPE	WILL	DIMENSIONS MM			WEIGHT
	t	t	g	h	KG
KW-CGSL 05	0.63	83	28	19	0.280
KW-CGSL06	0.90	96	33	22	0.440
*CGSL07	1.25	109	37	25	0.640
KW-CGSL08	1.55	122	41	28	0.880
KW-CGSL10	2.45	148	50	34	1.600



\*Not stocked. Available on Request.

# GRADE 60 COMPONENTS

**cromox**<sup>®</sup>

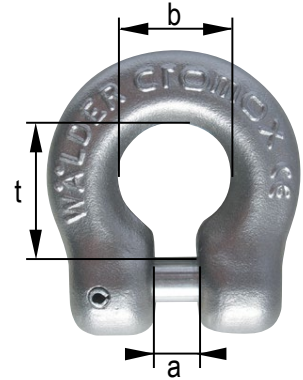
LIFTING & MATERIALS HANDLING | LIFTING CHAIN & COMPONENTS

## GRADE 60 CLEVIS SHACKLES CGS TESTED SAND BLASTED 6MM - 16MM

STANDARDS  
SAND BLASTED AISI 318LN

UOM: EACH

TYPE	WILL	DIMENSIONS MM			WEIGHT
	t	t	b	a	KG
KW-CGS06	0.90	26	20	7	0.160
KW-CGS07/08	1.50	30	23	9	0.230
KW-CGS10	2.40	40	28	11	0.460
KW-CGS13	3.85	48	38	14	0.675
KW-CGS16	6.00	50	44	17	1.130



**cromox**<sup>®</sup>

## GRADE 60 CONNECTING LINKS CVG TESTED BLASTED 5MM - 16MM

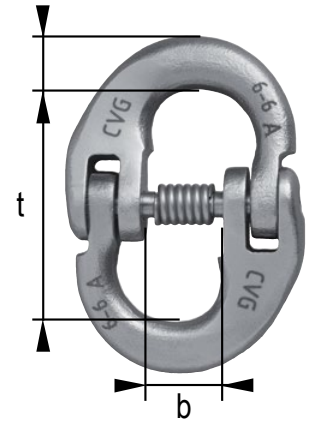
### FEATURES AND BENEFITS

- Suitable for lifting in corrosive environments
- Conventional style connecting link to Grade 60 chain
- Suitable for lifting applications
- Grade 60 Stainless Steel Connecting Link
- Made in Germany

STANDARDS  
SAND BLASTED AISI 318LN

UOM: EACH

TYPE	WILL	DIMENSIONS MM			WEIGHT
	t	t	b	d	KG
KW-CVG05	0.63	33.6	12.45	6.95	0.045
KW-CVG06	0.90	42	15	7.5	0.085
*CVG07	1.25	42	15	9.5	0.090
KW-CVG08	1.55	55	18	11.5	0.150
KW-CVG10	2.45	69	22	14.50	0.310
KW-CVG13	3.85	75	29	15.0	0.515
KW-CVG16	6.00	92	36	18.5	0.980



GRADE 60 COMPONENTS

3



## GRADE 60 D-SHACKLES CSA TESTED BRIGHT POLISHED 4MM - 13MM

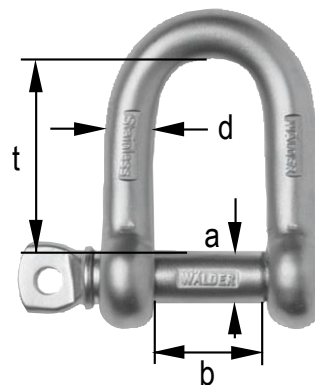
### FEATURES AND BENEFITS

- High strength & versatile
- Suitable for corrosive environments
- Grade 60 Stainless Steel
- Made in Germany

STANDARDS  
AISI 316L

UOM: EACH

TYPE	WILL	DIMENSIONS MM				WEIGHT
	t	a	d	t	b	KG
KW-CSA04	0.40	7	6	23	12	0.035
KW-CSA05	0.63	9	8	24	17	0.070
KW-CSA06	0.90	11	10	35	20	0.135
KW-CSA08	1.55	13	12	42	25	0.220
KW-CSA10	2.45	18	16	64	32	0.510
KW-CSA13	3.45	21	19	76	38	0.910



## GRADE 60 SAFETY SHACKLES CSS TESTED BRIGHT POLISHED 4MM - 13MM

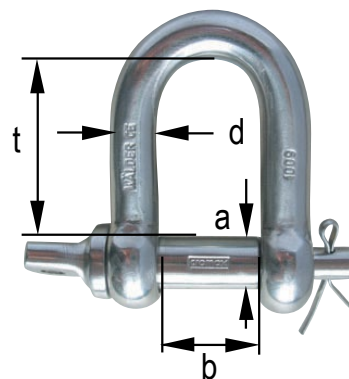
### FEATURES AND BENEFITS

- Safety pin to ensure the pin is captured
- High strength & versatile
- Suitable for corrosive environments

STANDARDS  
AISI 316L

UOM: EACH

TYPE	WILL	DIMENSIONS MM				WEIGHT
	t	a	d	t	b	KG
KW-CSS04	0.30	7	6	23	12	0.035
KW-CSS05	0.50	9	8	24	17	0.070
KW-CSS06	0.75	11	10	35	20	0.135
KW-CSS08	1.25	13	12	42	25	0.225
KW-CSS10	2.00	18	16	64	32	0.540
KW-CSS13	3.20	21	19	76	38	0.945





# GRADE 60 COMPONENTS

**CROMOX**<sup>®</sup>

## GRADE 60 SHORTENERS CVE TESTED SAND BLASTED 5MM - 13MM

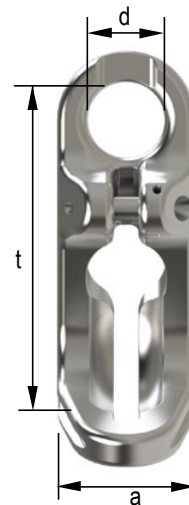
### FEATURES AND BENEFITS

- Simple handling
- Safety of use through special design
- Repositioned flat section usable in welded and modular systems

STANDARDS  
SAND BLASTED AISI 318LN

UOM: EACH

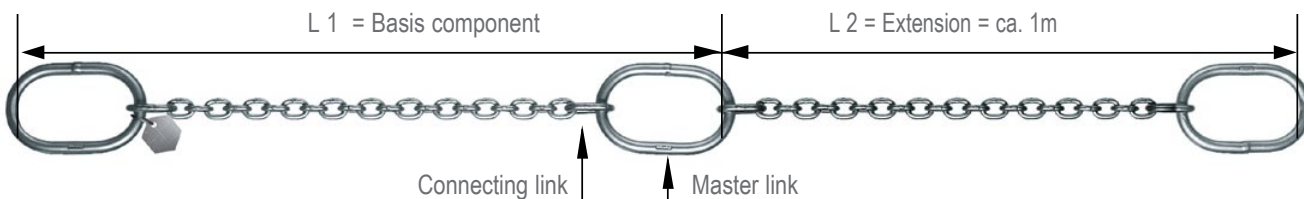
TYPE	WILL	DIMENSIONS MM			WEIGHT
	t	d	t	a	KG
CVE05	0.63	24	93	40	0.280
CVE06	0.90	25	112	45	0.455
CVE07	1.25	27	131	53	0.750
CVE08	1.55	28	148	56	1.000
CVE10	2.45	38	187	70	2.000
CVE13	3.85	48	243	91	4.500



## STAINLESS GRADE 60 PUMP CHAINS

Cromox pump chains enable safe lifting and lowering of pumps and aeration devices. Accompanied with WLL-tag and certificate. In addition to our standard sizes, we offer customized solutions.

MANY SIZES ALSO AVAILABLE IN **DUPLEX!**

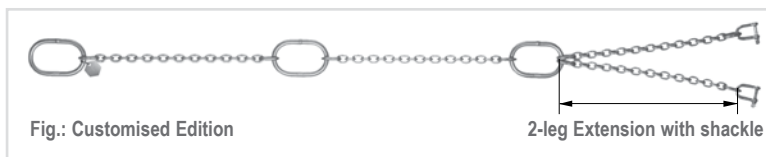


**CROMOX**<sup>®</sup>

## GRADE 60 PUMP CHAINS CPK WELDED TESTED 4M - 16MM

### FEATURES AND BENEFITS

- Versatile heavy duty solutions
- Two-leg system for pumps with two lifting points
- Enables safe lifting & lowering of pumps & aeration devices
- Available in AISI 318LN on request
- Tested & tagged
- Grade 60 Stainless Steel AISI 316L
- 1.5m spacings as standard
- Made in Germany



STANDARDS  
SIMILAR DIN 5688-1

UOM: EACH

TYPE	WILL	MASTER LINK	CHAIN	JOINING LINK
	t	MM	MM	MM
KW-CPK4	0.40	8 x 54 x 30	4 x 16	5 x 22 x 9
KW-CPK5	0.63	10 x 80 x 50	5 x 15	6 x 26 x 13
KW-CPK6	0.90	13 x 110 x 60	6 x 18	8 x 35 x 19
KW-CPK7	1.25	13 x 110 x 60	7 x 21	8 x 35 x 19
KW-CPK8	1.55	13 x 110 x 60	8 x 24	10 x 44 x 25
KW-CPK10	2.45	16 x 110 x 60	10 x 30	13 x 54 x 25
KW-CPK13	3.85	22 x 160 x 90	13 x 39	16 x 70 x 34
KW-CPK16	6.00	22 x 160 x 90	16 x 48	18 x 85 x 40

Standard Spacing ≈ 1.5m centres ; other lengths by request Custom fittings and fabrications available L 1 = Approx 150mm + one additional masterlink





# FOR SAFE WORKING LIVES



**safety**

## **Bunzl Safety**

55 Sarah Andrews Close  
Erskine Park NSW 2759

**1800 967 573**

[bunzlsafety.com.au](http://bunzlsafety.com.au)