



safety

FOR SAFE
WORKING LIVES

3

HARDWARE

FOR LIFTING & RIGGING



CATALOGUE VOL1





HARDWARE

FOR LIFTING & RIGGING

3



SHACKLES	5-13
RIGGING SCREWS & TURNBUCKLES	15-16
EYE BOLTS & NUTS	17-20
LINKS, HOOKS & SWIVELS	21-22
LIFTING & LASHING POINTS	23-28

CHOOSING THE CORRECT RIGGING HARDWARE

Rigging Hardware is an invaluable source of safety in many industrial, commercial, and recreational applications. The correct choice of rigging hardware depends on many variables, such as the different weather conditions they must withstand, the materials they are interacting with, and the safety factors involved. With so many options, it's important to differentiate between each piece of equipment to safely choose the best option for each unique lifting situation.

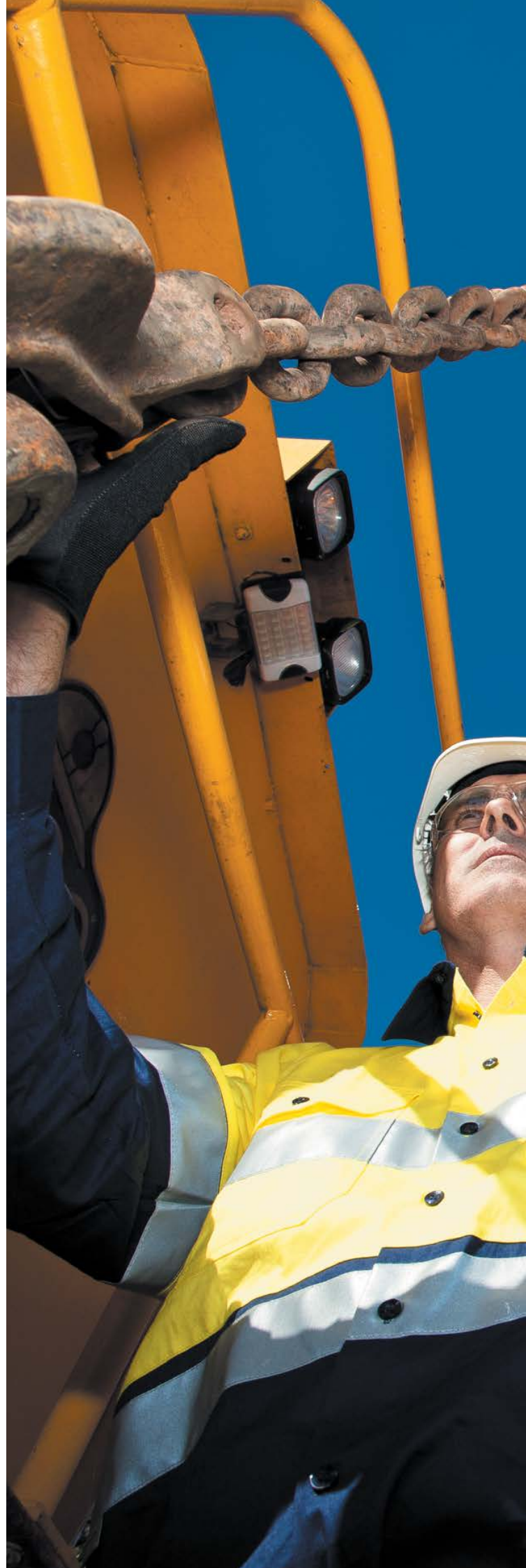
HARDWARE FOR LIFTING & RIGGING

WHEN COMPARING YOUR OPTIONS FOR LIFTING AND RIGGING EQUIPMENT, IT IS IMPORTANT TO CHOOSE THE RIGHT HARDWARE THAT WILL GET THE JOB DONE IN A SAFE MANNER.

According to Australian Standards, shackles and eyebolts must be inspected annually and it is also the users responsibility to visually inspect hardware items for legible markings, damage, cracks and corrosion, before each use. For further information refer to the latest Australian Standards - AS2741:2002 & AS2317:2018.

Bunzl Safety supply a comprehensive range of high quality shackles and rigging hardware items (manufactured and tested to Australian Standards) for the most demanding working environments.

The range comprises all forms of shackles from dee, bow, safety pin and screw collar types, to turnbuckles, collared eye bolts and eye nuts, chain split links, snap hooks, quick links and swivels to suit your work load.



SHACKLES

Shackles are used in lifting and static systems as removable links to connect (steel) wire rope, chain and other fittings.

SCREW PIN SHACKLES

Are commonly used for non-permanent applications.

SAFETY PIN SHACKLES

Are used for long-term or permanent applications or where the load may slide on the pin, causing rotation of the pin.

DEE SHACKLES

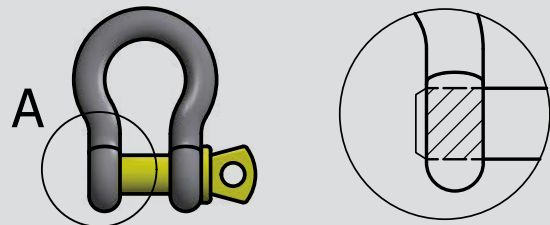
Are typically used on one-leg systems whereas Bow shackles are mainly used on multi-leg systems.

SHACKLES SHOULD BE INSPECTED BEFORE USE TO ENSURE THAT:

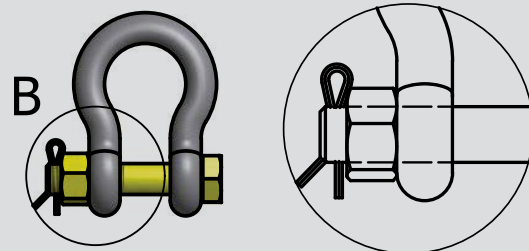
- All markings are legible
- The threads of the pin and the body are undamaged
- The body and the pin are not distorted or unduly worn
- The body and pin are free from nicks, gouges, cracks and corrosion
- The shackle is not to be heat treated as this may affect their Working Load Limit
- Never modify, repair or reshape a shackle by welding, heating or bending as this will affect the Working Load Limit
- Never use a safety bolt type shackle without using the split cotter pin.



DETAIL A SAFETY PIN



DETAIL B SAFETY PIN



GRADE 'S' SHACKLES

Our Grade S Shackles are a rated shackle that meet the requirement of AS 2741. Grade S Shackles are the most common shackles used in lifting applications, with a high strength to size ratio.

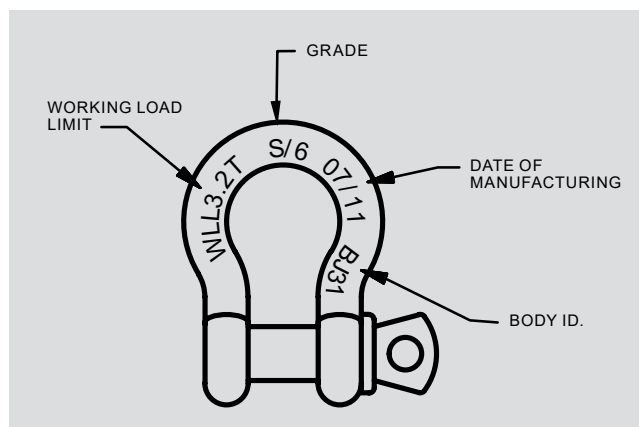
- Available in both Dee and Bow configurations
- Available in both Screw Pin and Safety Pin type - see drawing A and B for more information
- Because the pin holds more load than the body, the pin diameter is larger than the body diameter
- For the same W.L.L., they are smaller than grade M

OUR GRADE S SHACKLES COME IN TWO COLOUR CONFIGURATIONS:

BEAVER STANDARD GRADE S: Yellow pin

BEAVER COLOUR CODED GRADE S: Body and pin colour coded to AS 2741, for easy match to components

- The Body ID and date of Manufacture = the Batch ID



GRADE S SHACKLES



COLOUR
CODED FOR
SAFETY!

**BEAVER COLOUR
CODED SHACKLES**
TAKE THE GUESSWORK OUT
OF CHOOSING THE RIGHT
CAPACITY WHEN MATCHING
LIFTING COMPONENTS.

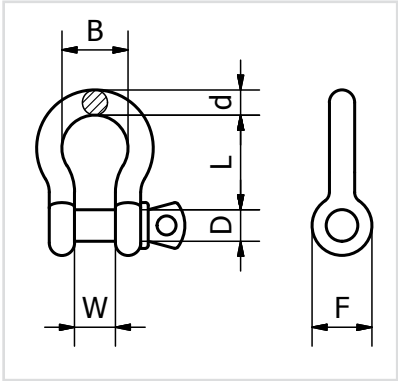
SCREW PIN CAPACITIES: 1 - 12 Tonne

GRADE 'S' COLOUR CODED SCREW PIN BOW SHACKLES

FEATURES AND BENEFITS

- Colour coded to match correct capacity lifting components to international lifting Standards
- Body and pin made from high tensile steel (quenched & tempered)
- Easily identified with brand markings

STANDARDS
Complies to AS2741



UOM: EACH

CODE	SIZE (MM)	WLL (T)	TYPE	SHAPE	CLOSING METHOD	SHACKLE COLOUR	DIA d (MM)	PIN DIA D (MM)	INSIDE WIDTH W (MM)	INSIDE LENGTH L (MM)	WIDTH OF BOW B (MM)	DIA BOSS F (MM)	APPROX WEIGHT KG	PACK QTY
242310M	10 x 11	1.00	Grade S	Bow	Screw	Violet	10	11	17	37	26	25	0.15	180
242313M	13 x 16	2.00	Grade S	Bow	Screw	Green	13	16	21	48	33	33	0.37	75
242316M	16 x 19	3.20	Grade S	Bow	Screw	Yellow	16	19	27	61	43	40	0.65	35
242319M	19 x 22	4.70	Grade S	Bow	Screw	Grey	19	22	32	72	51	48	1.06	20
242322M	22 x 25	6.50	Grade S	Bow	Screw	Brown	22	25	37	84	58	54	1.56	15
242325M	25 x 29	8.50	Grade S	Bow	Screw	Blue	25	29	43	95	68	60	2.32	10
242332M	32 x 35	12.00	Grade S	Bow	Screw	Orange	32	35	52	119	83	76	4.51	5

LIFTING & MATERIALS HANDLING | HARDWARE



COLOUR
CODED FOR
SAFETY!

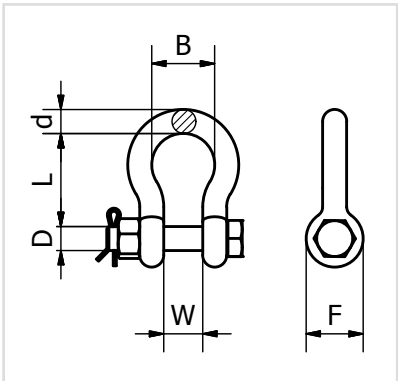
SAFETY PIN CAPACITIES: 2 - 8.5 Tonne

GRADE 'S' COLOUR CODED SAFETY PIN BOW SHACKLES

FEATURES AND BENEFITS

- Colour coded to match correct capacity lifting components to international lifting Standards
- Body and pin made from high tensile steel (quenched & tempered)
- Easily identified with brand markings

STANDARDS
Complies to AS2741



UOM: EACH

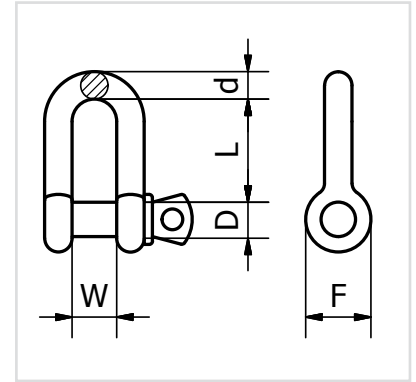
CODE	SIZE (MM)	WLL (T)	TYPE	SHAPE	CLOSING METHOD	SHACKLE COLOUR	DIA d (MM)	PIN DIA D (MM)	INSIDE WIDTH W (MM)	INSIDE LENGTH L (MM)	WIDTH OF BOW B (MM)	DIA BOSS F (MM)	APPROX WEIGHT KG	PACK QTY
244313M	13 x 16	2.00	Grade S	Bow	Safety Pin	Green	13	16	21	48	33	33	0.44	50
244316M	16 x 19	3.20	Grade S	Bow	Safety Pin	Yellow	16	19	27	61	43	40	0.79	30
244319M	19 x 22	4.70	Grade S	Bow	Safety Pin	Grey	19	22	32	72	51	48	1.26	20
244322M	22 x 25	6.50	Grade S	Bow	Safety Pin	Brown	22	25	37	84	58	54	1.88	12
244325M	25 x 29	8.50	Grade S	Bow	Safety Pin	Blue	25	29	43	95	68	60	2.78	10

GRADE S SHACKLES

3



GRADE S SHACKLES



DEE TYPE CAPACITIES: 0.5 - 35 Tonne

GRADE 'S' YELLOW PIN SCREW PIN SHACKLES - DEE TYPE

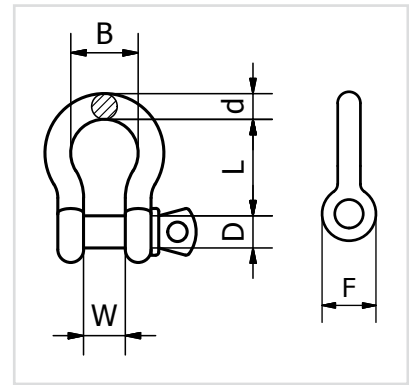
FEATURES AND BENEFITS

- Body and pin made from high tensile steel (quenched & tempered)
- Easily identified with brand markings
- Hot dipped galvanised

STANDARDS
Complies to AS2741

UOM: EACH

CODE	SIZE (MM)	WLL (T)	TYPE	SHAPE	CLOSING METHOD	DIA d (MM)	PIN DIA D (MM)	INSIDE WIDTH W (MM)	INSIDE LENGTH L (MM)	DIA BOSS F (MM)	APPROX WEIGHT KG	PACK QTY
241306	6 x 8	0.50	Grade S	Dee	Screw	6	8	12	22	17	0.06	500
241308	8 x 10	0.75	Grade S	Dee	Screw	8	10	13	26	21	0.11	300
241310	10 x 11	1.00	Grade S	Dee	Screw	10	11	17	32	25	0.15	200
241311	11 x 13	1.50	Grade S	Dee	Screw	11	13	18	37	27	0.21	100
241313	13 x 16	2.00	Grade S	Dee	Screw	13	16	21	41	33	0.37	80
241316	16 x 19	3.20	Grade S	Dee	Screw	16	19	27	51	40	0.65	40
241319	19 x 22	4.70	Grade S	Dee	Screw	19	22	32	60	48	1.06	20
241322	22 x 25	6.50	Grade S	Dee	Screw	22	25	37	71	54	1.56	15
241325	25 x 29	8.50	Grade S	Dee	Screw	25	29	43	81	60	2.32	10
241329	29 x 32	9.50	Grade S	Dee	Screw	29	32	46	90	67	3.28	8
241332	32 x 35	12.00	Grade S	Dee	Screw	32	35	52	100	76	4.51	5
241335	35 x 38	13.50	Grade S	Dee	Screw	35	38	57	113	84	5.43	4
241338	38 x 41	17.00	Grade S	Dee	Screw	38	41	60	124	92	7.89	3
241344	44 x 51	25.00	Grade S	Dee	Screw	44	51	73	146	110	13.4	2
241351	51 x 57	35.00	Grade S	Dee	Screw	51	57	83	171	127	18.85	1



BOW TYPE CAPACITIES: 0.33 - 55 Tonne

GRADE 'S' YELLOW PIN SCREW PIN SHACKLES - BOW TYPE

FEATURES AND BENEFITS

- Body and pin made from high tensile steel (quenched & tempered)
- Easily identified with brand markings
- Hot dipped galvanised

STANDARDS
Complies to AS2741

UOM: EACH

CODE	SIZE (MM)	WLL (T)	TYPE	SHAPE	CLOSING METHOD	DIA d (MM)	PIN DIA D (MM)	INSIDE WIDTH W (MM)	INSIDE LENGTH L (MM)	WIDTH OF BOW B (MM)	DIA BOSS F (MM)	APPROX WEIGHT KG	PACK QTY
242305	5 x 6	0.33	Grade S	Bow	Screw	5	6	10	22	15	14	0.02	740
242306	6 x 8	0.5	Grade S	Bow	Screw	6	8	12	29	20	17	0.06	700
242308	8 x 10	0.75	Grade S	Bow	Screw	8	10	13	31	21	21	0.11	25
242310	10 x 11	1	Grade S	Bow	Screw	10	11	17	37	26	25	0.15	180
242311	11 x 13	1.5	Grade S	Bow	Screw	11	13	18	43	29	27	0.21	100
242313	13 x 16	2	Grade S	Bow	Screw	13	16	21	48	33	33	0.37	75
242316	16 x 19	3.2	Grade S	Bow	Screw	16	19	27	61	43	40	0.65	35
242319	19 x 22	4.7	Grade S	Bow	Screw	19	22	32	72	51	48	1.06	20
242322	22 x 25	6.5	Grade S	Bow	Screw	22	25	37	84	58	54	1.56	15
242325	25 x 29	8.5	Grade S	Bow	Screw	25	29	43	95	68	60	2.32	10
242329	29 x 32	9.5	Grade S	Bow	Screw	29	32	46	108	74	67	3.28	6
242332	32 x 35	12	Grade S	Bow	Screw	32	35	52	119	83	76	4.51	5
242335	35 x 38	13.5	Grade S	Bow	Screw	35	38	57	133	92	84	5.43	3
242338	38 x 41	17	Grade S	Bow	Screw	38	41	60	146	98	92	7.89	3
242344	44 x 51	25	Grade S	Bow	Screw	44	51	73	178	127	110	13.40	2
242351	51 x 57	35	Grade S	Bow	Screw	51	57	83	197	146	127	18.85	1
242363	63 x 70	55	Grade S	Bow	Screw	63	70	105	267	184	152	37.86	1



GRADE S SHACKLES



DEE TYPE CAPACITIES: 2.0 - 13.5 Tonne

GRADE 'S' YELLOW PIN SAFETY PIN SHACKLES - DEE TYPE

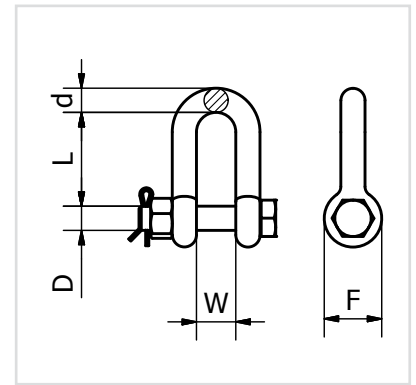
FEATURES AND BENEFITS

- Body and pin made from high tensile steel (quenched & tempered)
- Easily identified with brand markings

STANDARDS
Complies to AS2741

UOM: EACH

CODE	SIZE (MM)	WLL (T)	TYPE	SHAPE	CLOSING METHOD	DIA d (MM)	PIN DIA D (MM)	INSIDE WIDTH W (MM)	INSIDE LENGTH L (MM)	DIA BOSS F (MM)	APPROX WEIGHT KG	PACK QTY
243313	13 x 16	2.00	Grade S	Dee	Safety Pin	13	16	21	41	33	0.44	60
243316	16 x 19	3.20	Grade S	Dee	Safety Pin	16	19	27	51	40	0.79	35
243319	19 x 22	4.70	Grade S	Dee	Safety Pin	19	22	32	60	48	1.26	20
243322	22 x 25	6.50	Grade S	Dee	Safety Pin	22	25	37	71	54	1.88	12
243325	25 x 29	8.50	Grade S	Dee	Safety Pin	25	29	43	81	60	2.78	10
243329	29 x 32	9.50	Grade S	Dee	Safety Pin	29	32	46	90	67	3.87	8
243332	32 x 35	12.00	Grade S	Dee	Safety Pin	32	35	52	100	76	5.26	4



BOW TYPE CAPACITIES: 2.0 - 55 Tonne

GRADE 'S' YELLOW PIN SAFETY PIN SHACKLES - BOW TYPE

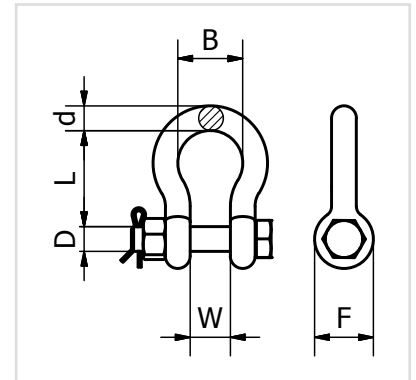
FEATURES AND BENEFITS

- Body and pin made from high tensile steel (quenched & tempered)
- Easily identified with brand markings

STANDARDS
Complies to AS2741

UOM: EACH

CODE	SIZE (MM)	WLL (T)	TYPE	SHAPE	CLOSING METHOD	DIA d (MM)	PIN DIA D (MM)	INSIDE WIDTH W (MM)	INSIDE LENGTH L (MM)	WIDTH OF BOW B (MM)	DIA BOSS F (MM)	APPROX WEIGHT KG	PACK QTY
244313	13 x 16	2.00	Grade S	Bow	Safety Pin	13	16	21	48	33	33	0.44	50
244316	16 x 19	3.20	Grade S	Bow	Safety Pin	16	19	27	61	43	40	0.79	30
244319	19 x 22	4.70	Grade S	Bow	Safety Pin	19	22	32	72	51	48	1.26	20
244322	22 x 25	6.50	Grade S	Bow	Safety Pin	22	25	37	84	58	54	1.88	12
244325	25 x 29	8.50	Grade S	Bow	Safety Pin	25	29	43	95	68	60	2.78	10
244329	29 x 32	9.50	Grade S	Bow	Safety Pin	29	32	46	108	74	67	3.87	6
244332	32 x 35	12.00	Grade S	Bow	Safety Pin	32	35	52	119	83	76	5.26	4
244335	35 x 38	13.50	Grade S	Bow	Safety Pin	35	38	57	133	92	84	6.94	4
244338	38 x 41	17.00	Grade S	Bow	Safety Pin	38	41	60	146	98	92	8.79	2
244345	45 x 51	25.00	Grade S	Bow	Safety Pin	44	51	73	178	127	110	14.99	1
244351	51 x 57	35.00	Grade S	Bow	Safety Pin	51	57	83	197	146	127	20.65	1
244363	63 x 70	55.00	Grade S	Bow	Safety Pin	63	70	105	267	184	152	41.05	1



OFFSHORE LIFTING SHACKLES

(DNV APPROVED)



BOW TYPE CAPACITIES: 2 - 120 Tonne

OFFSHORE LIFTING SHACKLES

FEATURES AND BENEFITS

- DNV 2.7-1 Type Approved, EN-13889 and U.S Fed. Spec. RR-C-271
- Made from high tensile carbon steel, quenched and tempered, Grade 6
- All parts hot dip galvanized, brown painted pins on top of galvanised finish
- Safety factor: 6:1
- Test certificate and traceable raw material/inspection certificate acc. EN-10204 - 3.1.
- 2-25 tonne versions supplied with DNV 2.7-1 Type Approval Certification
- Suited for use from -20°C to 200°C

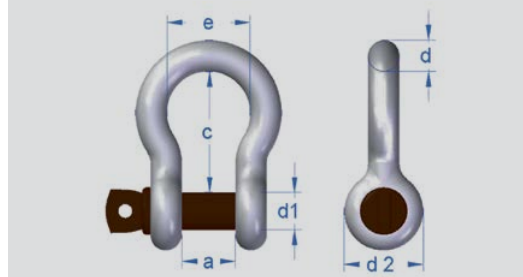
STANDARDS
AS 2741

UOM: EACH

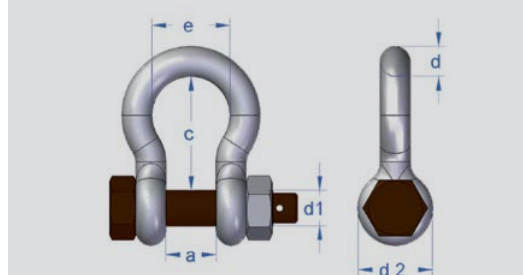
CODE SCREW PIN	CODE SAFETY BOLT	WLL (T) 6:1	DIA BOLT d1 (MM)	DIA BODY d (MM)	INNER WIDTH a* (MM)	INNER LENGTH c* (MM)	WIDTH OF BOW e (MM)	EYE OUTER d2 (MM)	SCREW PIN KGS/100PCS	SAFETY BOLTS KGS/100PCS
A085413	A085513	2	16	13	21	47	33	33	37	42
A085416	A085516	3.25	19	16	27	60	42	40	65	70
A085419	A085519	4.75	22	19	31	71	51	47	110	120
A085422	A085522	6.5	25	22	37	84	58	50	150	170
A085425	A085525	8.5	28	25	43	95	68	58	220	250
A085428	A085528	9.5	32	28	46	108	74	64	310	340
A085432	A085532	12	35	32	52	119	83	72	420	480
A085435	A085535	13.5	38	35	57	132	89	74	600	700
A085438	A085538	17	42	38	60	146	98	84	800	900
A085445	A085545	25	50	45	74	178	127	105	1350	1500
A085452	A085552	35	57	50	83	197	138	127	1900	2100
-	A085556	42.5	65	57	95	222	160	140	-	2850
A085464	A085564	55	70	65	105	255	185	152	3800	
-	A085576	85	83	75	127	330	190	165	-	6200
-	**A085589	120	95	89	146	380	235	203	-	11000

* Forging tolerance: +/- 5% on inside width/length. ** Safety factor 5:1

SCREW PIN #854



SAFETY BOLT PIN #855

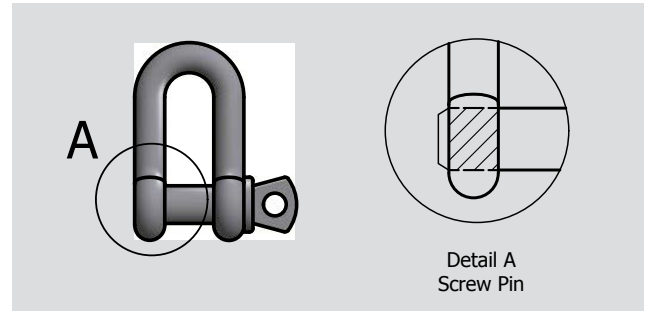
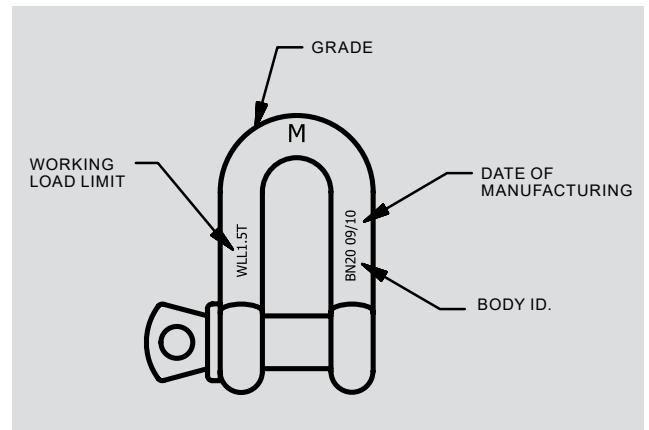


GRADE M SHACKLES

GRADE 'M' SHACKLES

Beaver Grade M Shackles are rated shackles that comply with the requirements of AS 2741. Grade M shackles are commonly used in marine applications.

- Only available in Dee configuration
- Screw Pin type only – please see drawing A for more information
- Because the pin holds more load than the body, the pin diameter is larger than the body diameter
- The Body ID and date of Manufacture = the Batch ID.
- For the same W.L.L., they are smaller than grade M

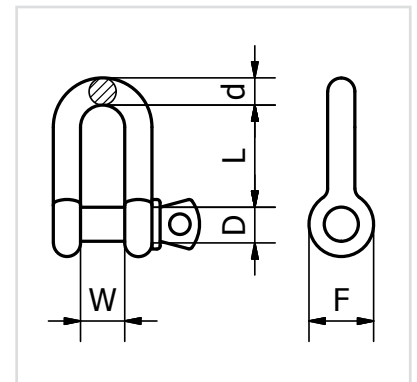


SELF COLOUR CAPACITIES: 0.5 - 20 Tonne

GRADE 'M' LARGE DEE SHACKLES - SELF COLOUR

FEATURES AND BENEFITS

- Highly suited to marine applications
- Pin diameter is larger than the body diameter to allow it to hold more load than the body
- Easily identified with brand markings



STANDARDS
Complies to AS2741

UOM: EACH

CODE	SIZE (MM)	WLL (T)	TYPE	FINISH	SHAPE	CLOSING METHOD	DIA d (MM)	DIA PIN D (MM)	INSIDE WIDTH W (MM)	INSIDE LENGTH L (MM)	DIA BOSS F (MM)	APPROX WEIGHT KG	PACK QTY
230010	10 x 13	0.50	Grade M	Self Colour	Dee	Screw	10	13	19	38	25	0.16	200
230013	13 x 16	0.75	Grade M	Self Colour	Dee	Screw	13	16	28	54	32	0.35	80
230016	16 x 19	1.50	Grade M	Self Colour	Dee	Screw	16	19	32	63	38	0.61	50
230020	19 x 22	2.00	Grade M	Self Colour	Dee	Screw	19	22	38	73	44	1.10	30
230023	22 x 25	3.00	Grade M	Self Colour	Dee	Screw	22	25	44	83	51	1.50	25
230025	25 x 29	3.80	Grade M	Self Colour	Dee	Screw	25	29	51	95	57	2.14	15
230028	29 x 32	5.00	Grade M	Self Colour	Dee	Screw	29	32	54	105	63	2.98	10
230032	32 x 35	6.00	Grade M	Self Colour	Dee	Screw	32	35	60	114	70	3.10	5
230035	35 x 38	7.00	Grade M	Self Colour	Dee	Screw	35	38	67	127	76	4.61	5
230038	38 x 44	9.50	Grade M	Self Colour	Dee	Screw	38	44	70	137	89	8.01	5
230042	41 x 48	11.00	Grade M	Self Colour	Dee	Screw	41	48	76	146	95	10.48	3
230045	44 x 51	13.00	Grade M	Self Colour	Dee	Screw	44	51	83	156	102	12.65	3
230050	51 x 57	16.00	Grade M	Self Colour	Dee	Screw	51	57	98	114	114	18.50	1
230056	57 x 63	20.00	Grade M	Self Colour	Dee	Screw	57	63	108	210	127	28.00	1



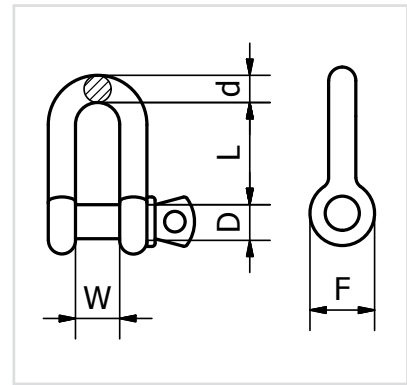
GALVANISED CAPACITIES: 0.25 - 20 Tonne

GRADE 'M' DEE SHACKLES - GALVANISED

FEATURES AND BENEFITS

- Highly suited to marine applications
- Pin diameter is larger than the body diameter to allow it to hold more load than the body
- Easily identified with brand markings

STANDARDS
Complies to AS2741



UOM: EACH

CODE	SIZE (MM)	WLL (T)	TYPE	FINISH	SHAPE	CLOSING METHOD	DIA d (MM)	DIA PIN D (MM)	INSIDE WIDTH W (MM)	INSIDE LENGTH L (MM)	DIA BOSS F (MM)	APPROX WEIGHT KG	PACK QTY
230306	6 x 10	0.25	Grade M	Galvanised	Dee	Screw	6	10	13	25	19	0.061	600
230310	10 x 13	0.50	Grade M	Galvanised	Dee	Screw	10	13	19	38	25	0.16	200
230313	13 x 16	0.75	Grade M	Galvanised	Dee	Screw	13	16	28	54	32	0.35	80
230316	16 x 19	1.50	Grade M	Galvanised	Dee	Screw	16	19	32	63	38	0.61	50
230320	19 x 22	2.00	Grade M	Galvanised	Dee	Screw	19	22	38	73	44	1.10	30
230323	22 x 25	3.00	Grade M	Galvanised	Dee	Screw	22	25	44	83	51	1.50	25
230325	25 x 29	3.80	Grade M	Galvanised	Dee	Screw	25	29	51	95	57	2.14	15
230328	29 x 32	5.00	Grade M	Galvanised	Dee	Screw	29	32	54	105	63	2.98	10
230332	32 x 35	6.00	Grade M	Galvanised	Dee	Screw	32	35	60	114	70	3.10	5
230335	35 x 38	7.00	Grade M	Galvanised	Dee	Screw	35	38	67	127	76	4.61	5
230338	38 x 44	9.50	Grade M	Galvanised	Dee	Screw	38	44	70	137	89	8.01	5
230342	41 x 48	11.00	Grade M	Galvanised	Dee	Screw	41	48	76	146	95	10.48	3



COMMERCIAL GRADE SHACKLES

COMMERCIAL GRADE SHACKLES

Commercial Grade Shackles are for general purpose use only and are available in both hot dipped galvanised and electro galvanised finishes. They are not produced to any standard.

FEATURES AND BENEFITS

- Commercial Galvanised Shackles are available in Dee type configuration
- Commercial Electro Galvanised Shackles are available in Dee type configuration only
- Screw Pin type only
- Unlike other types of shackles, commercial shackles have the same diameter pin as the body

NOTE:- NOT SUITABLE FOR LIFTING OR TOWING



COMMERCIAL HOT DIPPED GALVANISED DEE SHACKLE SIZES 5 - 25MM

FEATURES AND BENEFITS

- Ideal for general purpose use such as in a restraint or suspension area
- Screw pin made from mild steel & then hot dip galvanised or electro galvanised

UOM: EACH

CODE	SIZE (MM)	FINISH	SHAPE	CLOSING METHOD	APPROX WEIGHT (KG)	PACK QTY
200305	5	Galvanised	Dee	Screw	0.016	50
200306	6	Galvanised	Dee	Screw	0.025	50
200308	8	Galvanised	Dee	Screw	0.055	40
200310	10	Galvanised	Dee	Screw	0.120	30
200313	13	Galvanised	Dee	Screw	0.230	20
200316	16	Galvanised	Dee	Screw	0.5	20
200320	20	Galvanised	Dee	Screw	1.000	6
200325	25	Galvanised	Dee	Screw	1.900	6

NOT TO BE USED FOR LIFTING



COMMERCIAL ELECTRO GALVANISED DEE SHACKLE SIZES 5 - 25MM

FEATURES AND BENEFITS

- Ideal for general purpose use such as in a restraint or suspension area
- Screw pin made from mild steel & then hot dip galvanised or electro galvanised

UOM: EACH

CODE	SIZE (MM)	FINISH	SHAPE	CLOSING METHOD	APPROX WEIGHT (KG)	PACK QTY
200205	5	Electro Galvanised	Dee	Screw	0.015	50
200206	6	Electro Galvanised	Dee	Screw	0.024	50
200208	8	Electro Galvanised	Dee	Screw	0.053	40
200210	10	Electro Galvanised	Dee	Screw	0.115	30
200213	13	Electro Galvanised	Dee	Screw	0.223	30
200216	16	Electro Galvanised	Dee	Screw	0.490	20
200220	20	Electro Galvanised	Dee	Screw	0.980	6
200225	25	Electro Galvanised	Dee	Screw	1.850	6

NOT TO BE USED FOR LIFTING



RIGGING SCREWS & TURNBUCKLES

RATED RIGGING HARDWARE

Our range of Rigging Hardware complies with a number of different standards. Each product has a working load limit (W.L.L) and is rated for lifting applications. Our range of quality rigging hardware is manufactured from the finest milling techniques and designed for both heavy industry use and general hardware applications.



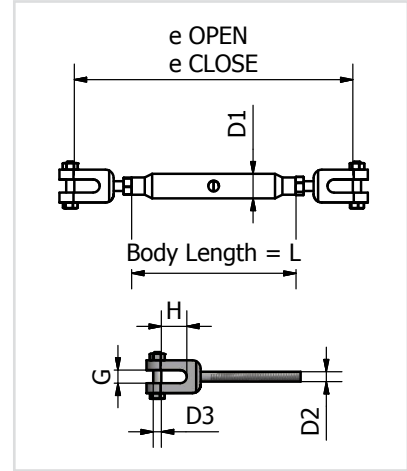
JAW AND JAW RIGGING SCREWS WITH LOCKNUTS BS4429

TESTED HOT DIPPED GALVANISED

- Used for length adjustment and tensioning

STANDARDS
Complies to BS4429

CODE	SIZE (MM)	e OPEN (MM)	e CLOSE (MM)	L (MM)	D1 (MM)	D2 (MM)	D3 (MM)	G (MM)	H (MM)	WLL (T)	PACK QTY	WEIGHT / 100 (KG)
328310	10	349	235	152	21	10	8	11	21	0.3	100	44
328313	13	524	343	229	25	13	9	19	35	0.5	50	85
328316	16	550	361	229	27	16	13	22	51	0.75	30	140
328320	20	550	387	229	34	20	16	22	48	1.25	20	220



UOM: EACH



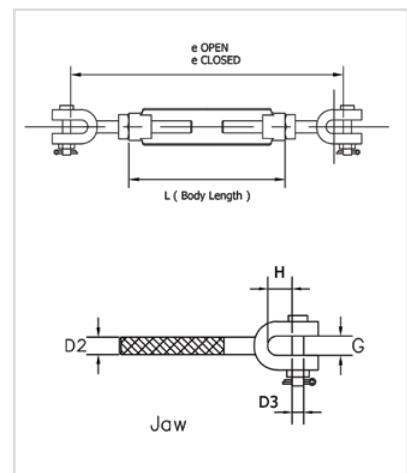
SUPER BUCKLES JAW AND JAW WITH LOCK NUTS. FEDERAL SPEC FF-T-791

FORGED HOT DIPPED GALVANISED

- Complete with locking nuts

STANDARDS
Complies to Federal Spec FF-T-791

CODE	SIZE (INCHES)	FINISH	E OPEN (MM)	E CLOSE (MM)	L (MM)	D2 (MM)	D3 (MM)	G (MM)	H (MM)	WLL (T)	PACK QTY	WEIGHT QTY 100 (KG)
322412	12x305	Galvanised	775	470	342	12.5	9.5	14	26	1	25	110
322416	16x305	Galvanised	815	510	352	15.8	12.5	20	34	1.59	15	175
322419	19x305	Galvanised	850	545	360	19	15.8	25.5	38	2.36	10	280
322422	22x305	Galvanised	890	585	370	22.2	19	30	45	3.26	6	371
322425	25x305	Galvanised	935	630	380	25.4	22.2	32	51	4.54	5	560



UOM: EACH

COMMERCIAL TURNBUCKLES

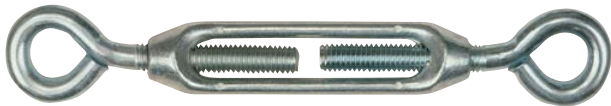
COMMERCIAL TURNBUCKLES

The intended use of our commercial rigging hardware is for non-lifting applications, such as; guying and rigging of fences, pillars etc. In order to decrease corrosion against the toughest environment, they are available in both hot dipped galvanised and zinc plated options.

FEATURES AND BENEFITS

- Ideal for guying and rigging of fences, pillars and similar applications
- Hot dip galvanised or zinc plated for excellent corrosion resistance

NOTE:- NOT SUITABLE FOR LIFTING



EYE AND EYE COMMERCIAL TURNBUCKLES

ELECTRO PLATED

UOM: EACH

CODE	SIZE (MM)	PACK QTY	APPROX WEIGHT (KG)
321205	5	500	15
321206	6	200	16
321208	8	150	24
321210	10	75	39

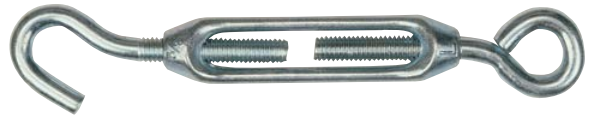


EYE AND EYE COMMERCIAL TURNBUCKLES

FORGED HOT DIPPED GALVANISED

UOM: EACH

CODE	SIZE (MM)	PACK QTY	APPROX WEIGHT (KG)
324206	6	250	8
324208	8	150	14
324210	10	100	26
324213	13	40	50
324216	16	25	100
324220	20	15	168
324223	22	8	246
324225	25	8	256



HOOK AND EYE COMMERCIAL TURNBUCKLES

ELECTRO PLATED

UOM: EACH

CODE	SIZE (MM)	PACK QTY	APPROX WEIGHT (KG)
320205	5	500	15
320206	6	200	16
320208	8	150	24
320210	10	100	39



FORGED STUB AND STUB COMMERCIAL TURNBUCKLES

FORGED HOT DIPPED GALVANISED

UOM: EACH

CODE	SIZE (MM)	PACK QTY	APPROX WEIGHT (KG)
325010	10	100	26
325013	13	40	50
325016	16	25	100
325020	20	15	168
325023	23	8	246
325025	25	8	256



HOOK AND EYE COMMERCIAL TURNBUCKLES

FORGED HOT DIPPED GALVANISED

UOM: EACH

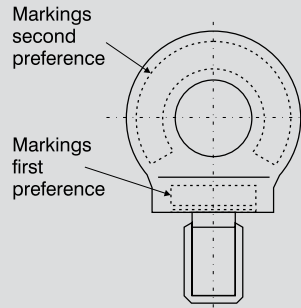
CODE	SIZE (MM)	PACK QTY	APPROX WEIGHT (KG)
323206	6	250	8
323208	8	150	14
323210	10	100	26
323213	13	40	50
323216	16	25	100
323220	20	15	168
323223	22	8	246
323225	25	8	256

EYE BOLTS & NUTS

LIFTING EYE BOLTS - COLLARED

Our lifting eye bolts and eye nuts come in a range of threads including BSW, UNC and Metric and are predominately used for lifting applications.

Eye bolts and eye nuts both carry the markings as shown.

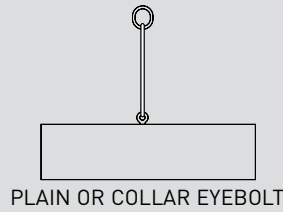


It is recommended that all eye bolts used for lifting be of forged steel and be equipped with shoulders or collars.

VERTICAL LIFT ONLY PLAIN EYEBOLT IS ACCEPTABLE



PLAIN EYEBOLT

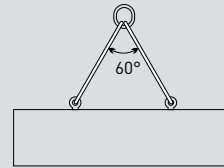


PLAIN OR COLLAR EYEBOLT

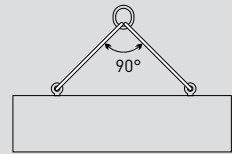
ANGULAR LIFTS COLLARED EYEBOLT ONLY



COLLARED EYEBOLT



COLLAR EYEBOLT ONLY



The Australian Standard covering collared Eyebolts is AS 2317-1984. The section on "Care and Use of Eyebolts" is taken from that standard. NB: Only use rated Eyebolts for lifting

WLL FOR AN M3 LOAD APPLICATION AS SPECIFIED BY AS 1418.1

1	2		3				4				5		6		7	
	SINGLE EYEBOLT OR EYENUT						PAIR OF EYEBOLT OR EYENUTS (SEE NOTES 1 AND 4)									
	TRANVERSE T		AXIAL T		TRANVERSE T		MAXIMUM INCLUDED ANGLE 30° T		MAXIMUM INCLUDED ANGLE 60° T		MAXIMUM INCLUDED ANGLE 90° T					
THREAD SIZE (SEE NOTES 2 AND 3)																
Loading Factor	0.25	1	0.5	1.25	0.80	0.5										
M10	0.06	0.25	0.12	0.31	0.20	0.12										
M12	0.10	0.40	0.20	0.50	0.32	0.20										
M16	0.20	0.80	0.40	1.00	0.64	0.40										
M20	0.40	1.60	0.80	2.0	1.28	0.80										
M22	0.50	2.0	1.00	2.5	1.60	1.00										
M24	0.62	2.5	1.25	3.1	2.0	1.25										
M30	1.00	4.0	2.0	5.0	3.2	2.0										
M33	1.25	5.0	2.5	6.3	4.0	2.5										
M36	1.57	6.3	3.1	7.9	5.0	3.1										
M39	1.75	7.0	3.5	8.8	5.6	3.5										
M42	2.0	8.0	4.0	10.0	6.4	4.0										
M48	2.5	10.0	5.0	12.6	8.0	5.0										
M56	3.7	15.0	7.5	18.9	12.0	7.5										
M64	5.0	20.0	10.0	25	16.0	10.0										
M72	6.2	25.0	12.5	31	20	12.5										
M76	7.5	30.0	15.0	37	24	15.0										

EYE BOLTS & NUTS



LIFTING COLLARED EYE BOLTS WITH B.S.W. THREAD BS529

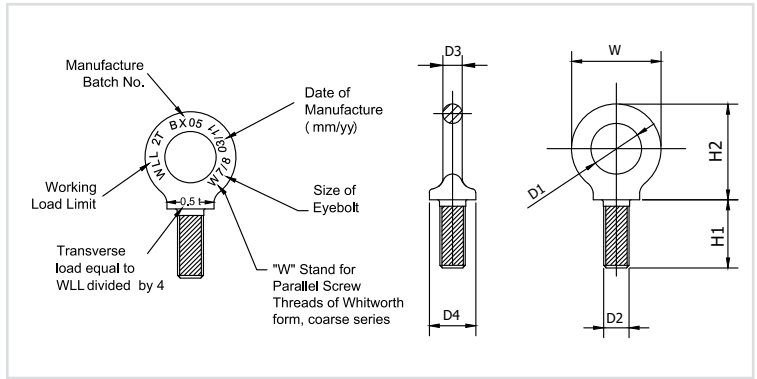
FEATURES AND BENEFITS

- Suitable for lifting

STANDARDS
Conforms to AS2317

UOM: EACH

CODE	SIZE (IN)	FINISH	W (MM)	H1 (MM)	H2 (MM)	D1 (MM)	D2 (MM)	D3 (MM)	D4 (MM)	WLL (T)	TRANSVERSE LOAD (T)	PACK QTY	WEIGHT / 100 (KG)
358010	3/8"	Self Colour	32	17	35	14	9.53	9	21	0.25	0.06	400	5.5
358013	1/2"	Self Colour	41	22	42.5	19	12.70	11	28	0.4	0.1	150	14.6
358016	5/8"	Self Colour	52	28	58	24	15.88	14	36	0.8	0.2	60	30
358019	3/4"	Self Colour	62	33	69	28	19.05	17	43	1.6	0.4	40	52.5
358022	7/8"	Self Colour	73	39	80.5	33	22.23	20	50	2	0.5	20	90
358025	1"	Self Colour	82	44	92	38	25.40	22	57	2.5	0.62	15	106
358028	1-1/8"	Self Colour	92	50	103	42	28.58	25	64	3.5	0.87	10	160
358032	1-1/4"	Self Colour	104	55	116	48	31.75	28	71	5	1.25	6	260



LIFTING COLLARED EYE BOLTS WITH UNC THREAD BS529

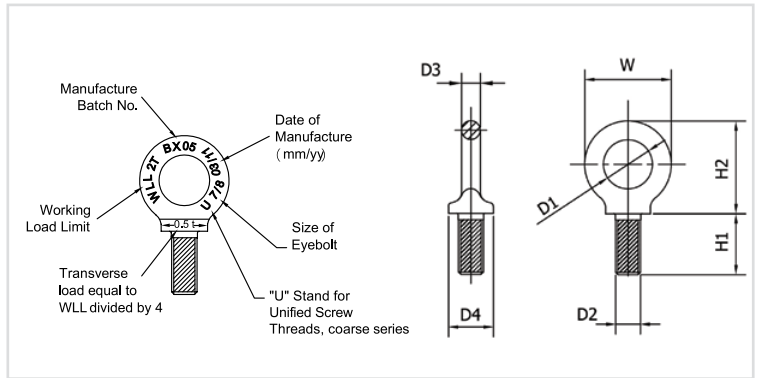
FEATURES AND BENEFITS

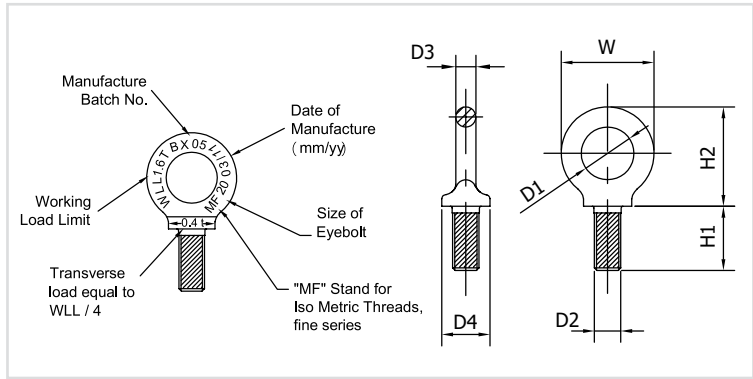
- Suitable for lifting

STANDARDS
Conforms to AS2317

UOM: EACH

CODE	SIZE (IN)	FINISH	W (MM)	H1 (MM)	H2 (MM)	D1 (MM)	D2 (MM)	D3 (MM)	D4 (MM)	WLL (T)	TRANSVERSE LOAD (T)	PACK QTY	WEIGHT / 100 (KG)
360010	3/8"	Self Colour	33	9	36	15	9.53	9	22	0.25	0.06	400	6
360012	1/2"	Self Colour	44	11	48.0	20	12.70	11	29	0.4	0.1	150	15
360016	5/8"	Self Colour	52	14	58	24	15.88	14	36	0.8	0.2	60	27
360019	3/4"	Self Colour	66	17	73	30	19.05	18	45	1.4	0.3	40	54
360022	7/8"	Self Colour	77	20	84.0	35	22.23	21	52	2	0.5	40	85
360025	1"	Self Colour	85	22	94	39	25.40	23	58	2.5	0.62	25	113
360032	1-1/4"	Self Colour	106	28	117	48	31.75	29	72	5	1.25	6	237
360038	1-1/2"	Self Colour	118	33	131.0	54	38.10	32	81	7	1.75	6	312





LIFTING COLLARED EYE BOLTS WITH METRIC THREADS BS4278

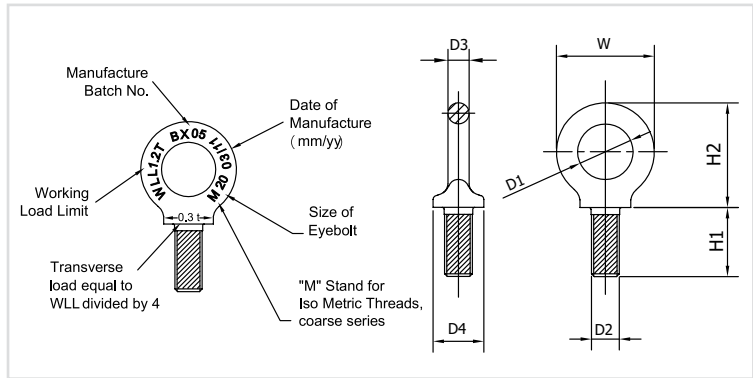
FEATURES AND BENEFITS

- Suitable for lifting
- Zinc Dichromate finish prevents anti-corrosion

STANDARDS
Conforms to AS2317

UOM: EACH

CODE	SIZE (IN)	FINISH	W (MM)	H1 (MM)	H2 (MM)	D1 (MM)	D2 (MM)	D3 (MM)	D4 (MM)	WLL (T)	TRANSVERSE LOAD (T)	PACK QTY	WEIGHT / 100 (KG)
359008	8	Zinc Dichromate	33	18	36	15	8	18	22	0.15	0.04	400	6
359010	10	Zinc Dichromate	33	18	36	15	10	18	22	0.25	0.06	180	6
359012	12	Zinc Dichromate	33	18	36	15	12	18	22	0.4	0.1	110	6
359016	16	Zinc Dichromate	44	23	48	20	16	24	29	0.8	0.2	80	15
359020	20	Zinc Dichromate	59	32	65	27	20	32	40	1.2	0.3	45	38
359022	22	Zinc Dichromate	64	35	73	30	22	34	45	1.5	0.37	30	54
359024	24	Zinc Dichromate	77	40	84	35	24	42	52	2.5	0.62	10	85
359030	30	Zinc Dichromate	96	51	106	44	30	52	65	4	1	4	162



LIFTING METRIC SHOULDERED EYE BOLTS TO DIN580

FEATURES AND BENEFITS

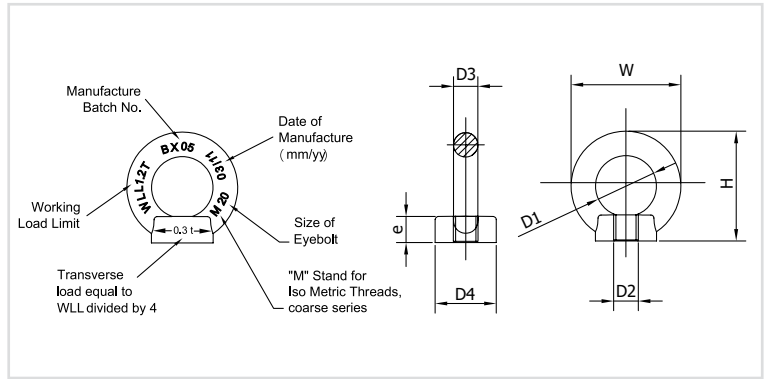
- Suitable for lifting
- Zinc Dichromate finish prevents anti-corrosion

STANDARDS
Conforms to AS2317

UOM: EACH

CODE	SIZE (IN)	FINISH	W (MM)	H1 (MM)	H2 (MM)	D1 (MM)	D2 (MM)	D3 (MM)	D4 (MM)	WLL (T)	TRANSVERSE LOAD (T)	PACK QTY	WEIGHT / 100 (KG)
359108	8	Zinc Dichromate	36	13	36	20	8	8	20	0.14	0.03	400	6
359110	10	Zinc Dichromate	45	17	45	25	10	10	25	0.23	0.06	180	11
359112	12	Zinc Dichromate	54	20.5	52	30	12	12	30	0.34	0.08	110	18
359116	16	Zinc Dichromate	63	27	61	35	16	14	35	0.7	0.17	80	28
359120	20	Zinc Dichromate	72	30	70	40	20	16	40	1.2	0.3	50	45
359122	22	Zinc Dichromate	81	35	80	45	22	18	45	1.5	0.37	30	67
359124	24	Zinc Dichromate	90	36	90	50	24	20	50	1.8	0.45	20	87
359130	30	Zinc Dichromate	108	45	110	60	30	24	65	3.6	0.9	4	166
359136	36	Zinc Dichromate	126	54	130	70	36	28	75	5.1	1.3	4	265

EYE BOLTS & NUTS



LIFTING METRIC SHOULDERED EYE NUTS TO DIN582

FEATURES AND BENEFITS

- Suitable for lifting
- Zinc Dichromate finish prevents anti-corrosion

UOM: EACH

CODE	SIZE (MM)	FINISH	W (MM)	H1 (MM)	D1 (MM)	D2 (MM)	D3 (MM)	D4 (MM)	E (MM)	WLL (T)	TRANSVERSE LOAD (T)	PACK QTY	WEIGHT / 100 (KG)
359208	8	Zinc Dichromate	36	36	20	8	8	20	8.5	0.14	0.03	400	5
359210	10	Zinc Dichromate	45	45	25	10	10	25	10	0.23	0.06	180	9
359212	12	Zinc Dichromate	54	52	30	12	12	30	11	0.34	0.07	110	16
359216	16	Zinc Dichromate	63	61	35	16	14	35	13	0.7	0.17	80	24
359220	20	Zinc Dichromate	72	70	40	20	16	40	16	1.2	0.3	50	36
359222	22	Zinc Dichromate	81	80	45	22	18	45	19.4	1.5	0.37	30	58
359224	24	Zinc Dichromate	90	90	50	24	20	50	20	1.8	0.45	20	72

LINKS, HOOKS & SWIVELS

FEATURES AND BENEFITS

- Suitable for commercial chain
- Enables chain link connecting

NOTE:- NOT SUITABLE FOR LIFTING



CHAIN SPLIT LINKS

ELECTRO GALVANISED

UOM: EACH

CODE	SIZE (MM)	FINISH	PACK QTY	WEIGHT /100 (KG)
420103	3.5	Electro Galvanised	5000	0.41
420105	5	Electro Galvanised	1500	1.72
420106	6	Electro Galvanised	800	3
420108	8	Electro Galvanised	400	6.9
420110	10	Electro Galvanised	200	12
420113	13	Electro Galvanised	120	23



CHAIN SPLIT LINKS

HOT DIPPED GALVANISED

UOM: EACH

CODE	SIZE (MM)	FINISH	PACK QTY	WEIGHT /100 (KG)
420303	3.5	Hot Dipped Galvanised	5000	0.41
420305	5	Hot Dipped Galvanised	1500	1.72
420306	6	Hot Dipped Galvanised	800	3
420308	8	Hot Dipped Galvanised	400	6.9
420310	10	Hot Dipped Galvanised	200	12
420313	13	Hot Dipped Galvanised	120	23



SNAP HOOKS

UOM: EACH

CODE	SIZE (MM)	FINISH	PACK QTY	WEIGHT /100 (KG)
425204	4	Electro Galvanised	2500	1.4
425205	5	Electro Galvanised	1400	1.6
425206	6	Electro Galvanised	1000	2.7
425207	7	Electro Galvanised	700	4.4
425208	8	Electro Galvanised	400	6.5
425210	10	Electro Galvanised	200	12.7



QUICK LINKS

UOM: EACH

CODE	SIZE (MM)	FINISH	PACK QTY	WEIGHT /100 (KG)
420603	3.5	Electro Galvanised	3000	0.908
420605	5	Electro Galvanised	1250	2.27
420606	6	Electro Galvanised	800	3.632
420608	8	Electro Galvanised	400	8.172





COMMERCIAL CHAIN SWIVELS

BOW AND BOW TYPE

FEATURES AND BENEFITS

- Bow & Bow type fittings

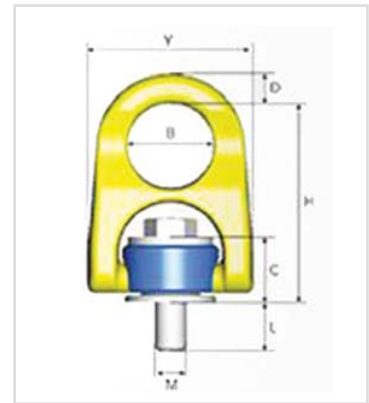
UOM: EACH

CODE	SIZE (MM)	FINISH	PACK QTY	WEIGHT /100 (KG)
335306	6	Galvanised	250	6.0
335308	8	Galvanised	150	13.5
335310	10	Galvanised	80	25.0
335313	13	Galvanised	35	56.0
335316	16	Galvanised	25	120.0
335320	20	Galvanised	12	180.0
335323	23	Galvanised	10	250.0
335325	25	Galvanised	5	410.0

NOT TO BE USED FOR LIFTING



LIFTING & LASHING POINT



GRADE 100 ERLP ROTATING LIFTING & LASHING POINT

FEATURES AND BENEFITS

- Ideal for lifting or load lashing when a permanent or semi-permanent point is required
- Able to rotate 360 degrees and articulate 180 degrees
- Slim line design fits in confined spaces
- Easy to fit with the hexagonal screw and features a dismantlable open D-ring

APPLICATIONS

Suitable for the mining, heavy construction, road or rail transport or maritime industries.

UOM: EACH

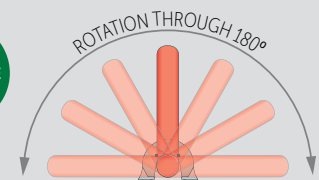


CODE	L (MM)	M (MM)	B (MM)	D (MM)	C (MM)	H (MM)	Y (MM)	WEIGHT (KG)
ERLP-M8-10	15	M8	Ø27	10	20	63	52	0.257
ERLP-M10-10	20	M10	Ø27	10	20	63	52	0.268
ERLP-M12-10	19	M12	Ø38	15	31	91.8	73	0.772
ERLP-M16-10	24	M16	Ø38	15	31	91.8	73	0.8



GRADE 100 WELD-ON LIFTING & LASHING RINGS

TEST CERTIFICATE AVAILABLE



GRADE 100 WELD-ON LIFTING POINTS 1.5T - 16T

FEATURES AND BENEFITS

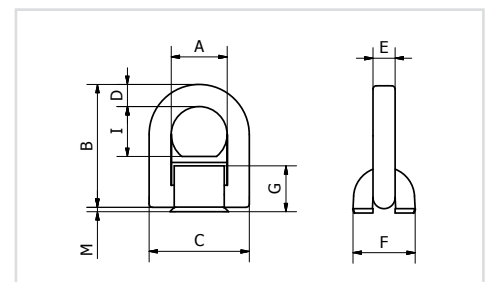
- Grade 100 quality alloy steel, quenched and tempered
- Offers a full working load limit at all angles
- Extremely high strength attachment
- Lifting ring and welding block are both marked for accurate traceability
- Easily welded into required position with the aid of height lugs on the weld block
- Lifting ring has durable powder coated baked enamel finish

APPLICATIONS

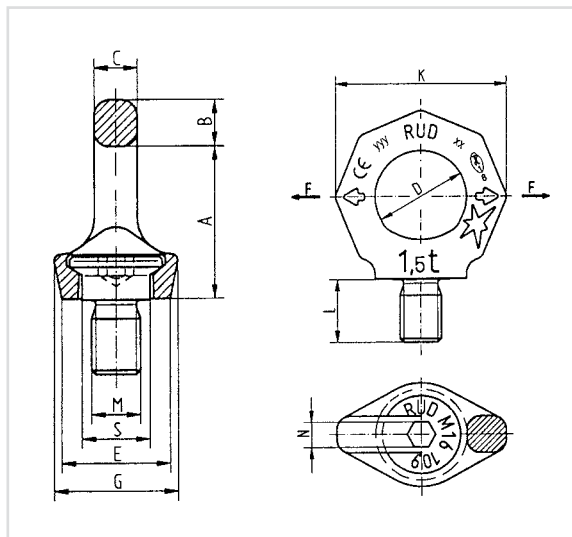
Suitable for mining, offshore exploration, road or rail transport and maritime industries.

UOM: EACH

CODE	WLL TONNES (KG)	A (MM)	B (MM)	C (MM)	D (MM)	E (MM)	F (MM)	G (MM)	I (MM)	M (MM)	WELD MM HV+AL	WEIGHT (KG)
BALPV015	1500	38	79	66	14	13.5	32	25	31	2	HV5+3	0.40
BALPV025	2500	45	92.5	77	16	13.5	36	27	38	3.5	HV7+3	0.60
BALPV040	4000	51	102	87	18	16.5	42	32	40.5	2	HV8+3	0.90
BALPV067	6700	67	138	115	24	22.5	61	44	55	4	HV12+4	2.0
BALPV100	10000	67.5	142	129	26.5	57.5	75	53	57.5	4	HV16+4	3.0
BALPV160	16000	100	21.5	190	40	26	95	69	85	5	HV25+6	6.9



LIFTING & LASHING POINTS



VRS-F STARPOINT METRIC COARSE THREAD

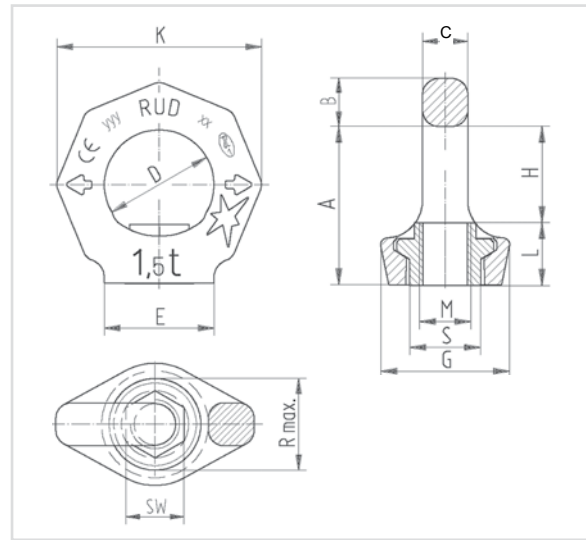
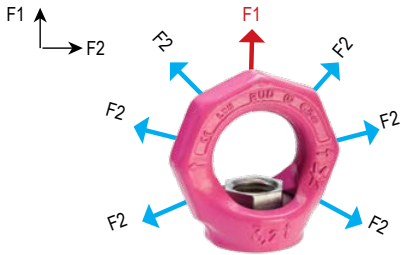
FEATURES AND BENEFITS

- Eye Bolt with locking component
- 360° rotation
- Stamped with F2 WLL
- Can be used for both axial and angular loading
- Unique key design for easy fitting
- Also available in UNC thread sizes

UOM: EACH

CODE	TYPE	F1 (T)	F2* (T)	WEIGHT (KG)	A (MM)	B (MM)	C (MM)	D (MM)	E (MM)	G (MM)	K (MM)	L (MM)	M (MM)	N (MM)	S (MM)
7900906	VRS-M6	0.5	0.1	0.06	27	9	7	20	23	28	37	9	6	6	13
8500911	VRS-M8	1.0	0.3	0.1	34	11	8.5	25	25	32	47	12	8	6	16
7104029	VRS-M10	1.0	0.4	0.1	34	11	8.5	25	25	32	47	15	10	6	16
7101313	VRS-M12	2.0	0.75	0.2	42	13	10	30	30	34	56	18	12	8	20
7101314	VRS-M16	4.0	1.5	0.3	49	15	14	35	35	40	65	24	16	10	23.5
7101315	VRS-M20	6.0	2.3	0.5	57	17	16	40	42	50	75	30	20	12	29
71 01316	VRS-M24	8.0	3.2	0.9	70	21	19	48	50	60	90	36	24	14	35
7101317	VRS-M30	12.0	4.5	1.7	86	26	24	60	60	75	112	45	30	17	44
7984201	VRS-M36	16.0	7.0	2.9	103	32	29	72	75	90	135	54	36	22	53
7984202	VRS-M42	24.0	9.0	4.6	120	38	34	82	85	105	158	63	42	24	61.5
7984203	VRS-M48	32.0	12.0	7.0	137	43	38	94	100	120	180	72	48	27	70.5

*Stamped with F2 WLL



STARPOINT EYE NUTS - VRM

FEATURES AND BENEFITS

- Can be used for both axial and angular loading
- Metric (coarse) threads
- Rated for use in both single and multi-part lifts
- 360° rotation

UOM: EACH

CODE	TYPE	F1 (T)	F2 (T)	WEIGHT (KG)	A (MM)	B (MM)	C (MM)	D (MM)	E (MM)	G (MM)	H (MM)	K (MM)	L (MM)	M (MM)	R _{max} (MM)	S (MM)	SW (MM)
7900786	VRM M6	0.5	0.1	0.06	28	9	7	20	23	28	16	37	11	6	16	13	9
7992989	VRM M8	1.0	0.3	0.1	34	11	8.5	25	25	28	20	47	14	8	20	16	12
7990311	VRM M10	1.0	0.4	0.1	34	11	8.5	25	25	28	20	47	14	10	20	16	12
7990312	VRM M12	2.0	0.75	0.2	42	13	10	30	30	34	25	56	17	12	24	20	14
7990314	VRM M16	4.0	1.5	0.3	51	15	14	35	35.5	40	30	65	21	16	30	22	19
7990315	VRM M20	6.0	2.3	0.5	57	17	16	40	40	50	34	75	23	20	37	29	24
7990316	VRM M24	8.0	3.2	0.9	69	21	19	48	50	60	40	90	29	24	45	35	30
7993008	VRM M30	12.0	4.5	1.5	86	26	24	60	60	75	52	112	34	30	56	44	36

*Stamped with F2 WLL

LIFTING & LASHING POINTS



VLBG PLUS METRIC COARSE THREAD

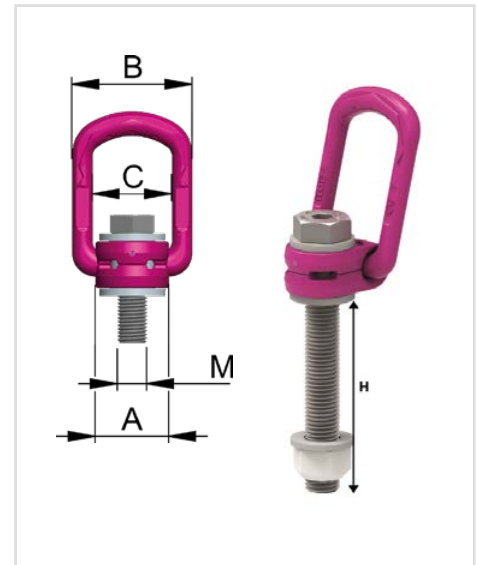
FEATURES AND BENEFITS

STANDARD BOLT

- Up to 45% higher WLL capacity
- 360° rotation
- ICE® Bolt made out of patented material
- Grade 120 for higher wear resistance
- Quick and easy installation
- Complies with EN 1677-1 and AS 3776:2015

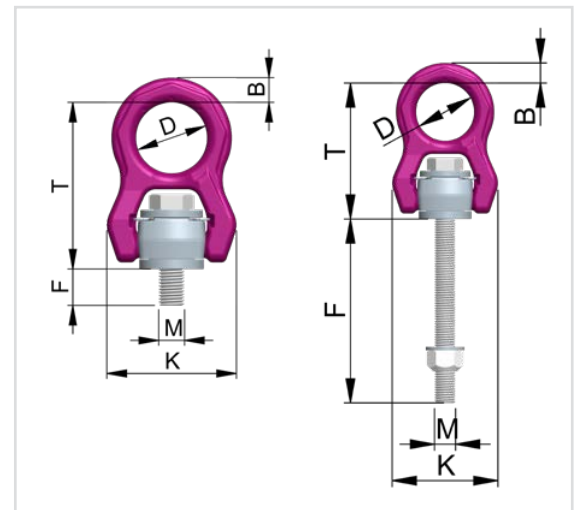
LONG BOLT

- RUD Crack tested ICE/Class 10.9
- Can be cut to suit specific applications
- DIN crack tested collared nut



UOM: EACH

CODE	TYPE	WLL (T)	GRADE	B	A	C (MM)	M (MM)	STANDARD H (MM)	LONG H (MM)
8504651	M8	0.63	ICE	54	30	34	8	11	76
8504652	M10	0.9	ICE	54	30	34	10	15	96
8504653	M12	1.35	ICE	54	32	34	12	18	116
8504655	M16	2	ICE	56	33	36	16	22	149
8504657	M20	3.5	ICE	82	50	54	20	32	187
8504659	M24	4.5	ICE	82	50	54	24	37	222
8504661	M30	6.7	10.9	103	60	65	30	49	279
7983553	M36	8	10.9	122	77	82	36	63	223
7983554	M42	10	10.9	122	77	82	42	73	273
7982966	M42	15	10.9	156	95	100	42	63	263
7982967	M48	20	10.9	156	95	100	48	73	303



ACP-TURNADO METRIC COARSE THREAD

FEATURES AND BENEFITS

- Unique Spring Mechanism
- Higher WLL M12-M30
- RUD ICE Bolt
- Wear Indicators

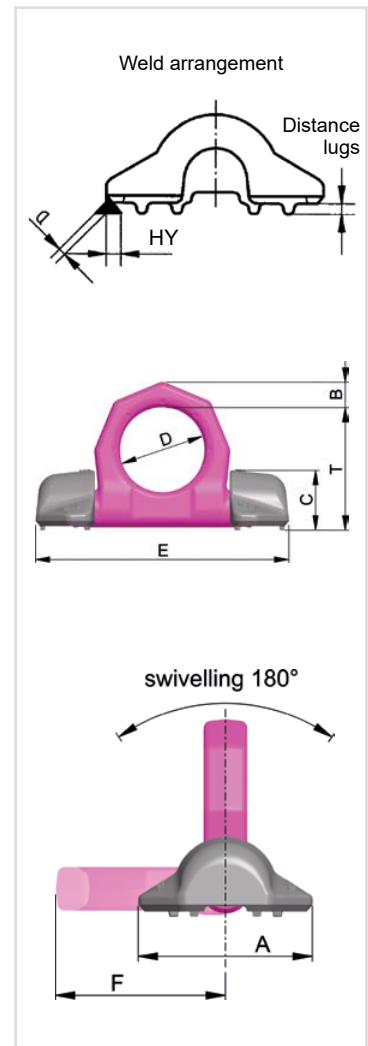
UOM: EACH

CODE	REFERENCE NUMBER	WLL (T)	GRADE	B (MM)	D (MM)	K (MM)	M (MM)	T (MM)	STANDARD F (MM)	LONG F (MM) MAX
7909314	ACP M12	1.35	ICE	11	38	58	12	83	19	117
7909316	ACP M16	2.5	ICE	14	50	76	16	107	22	149
7909317	ACP M20	4.0	ICE	17	50	89	20	118	26.5	186.5
7909318	ACP M24	6.3	ICE	23	66	120.5	24	154	34	210
7909319	ACP M30	8.0	ICE	29	75	148	30	183	41.5	271.5

*Also available in UNC



MO 075104



WELD ON VRBS LOAD RING

FEATURES AND BENEFITS

- Distribution of the load force due to the two point fixing, hence an optimised force introduction to the work piece
- Forged, alloy steel
- Lays flat when not in use
- High dynamic and static strength
- Patented distance lugs assist in achieving the correct root weld (approx. 3 mm)

UOM: EACH

CODE	TYPE	WLL (T)	A (MM)	B (MM)	C (MM)	D (MM)	E (MM)	F (MM)	T (MM)	WELD HY+Δ	WEIGHT (KG)
7992488	VRBS 4	4	62	14	28	48	135	71	65	HY 4+3	0.8
7992489	VRBS 6.7	6.7	88	20	39	60	170	92	84	HY 5.5+3	2.1
7992490	VRBS 10	10	100	22	46	65	195	100	95	HY 6+4	2.8
7992491	VRBS 16	16	130	30	57	90	263	134	127	HY 8.5+4	6.6
60267	VRBS 31.5	31.5	160	42	79	130	375	195	178	HY 18+a4	19
7906272	VRBS 50	50	240	70	120	230	620	340	313	HY 25+a8	85

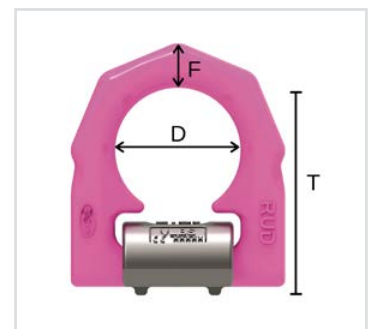


VLBS LOAD RING - WITH SPRING

FEATURES AND BENEFITS

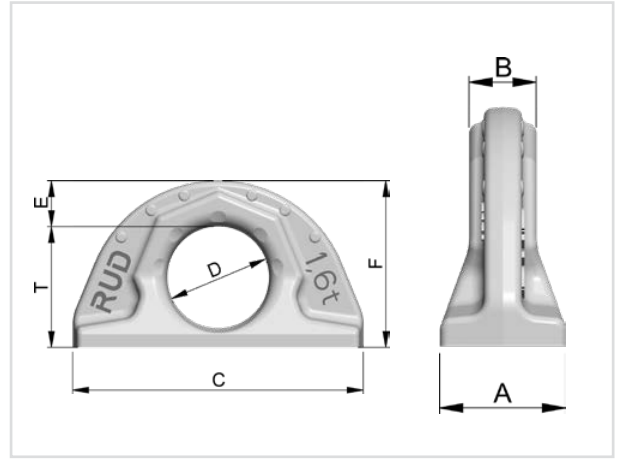
- Full WLL in all directions
- Load Ring, with captive position holding spring
- Ready for welding

UOM: EACH



CODE	WLL (T)	D (MM)	T (MM)	F (MM)	REFERENCE NUMBER
7993035	1.5	38	65	14	VLBS-U 1.5
7994830	2.5	45	75	16	VLBS-U 2.5
7993036	4	51	83	18	VLBS-U 4
7993037	6.7	67	117	24	VLBS-U 6.7
7993040	10	67	126	27	VLBS-U 10
7906640	16	100	174	40	VLBS-U 16

LIFTING & LASHING POINTS



LIFTING & MATERIALS HANDLING | HARDWARE

ABA LIFTING POINT FOR WELDING

FEATURES AND BENEFITS

- Full WLL in all directions
- Patented markings for easy determination for withdraw of service
- Manufactured from CrNiMo steel

UOM: EACH

CODE	TYPE	WLL (T)	A (MM)	B (MM)	C (MM)	D (MM)	E (MM)	F (MM)	T (MM)
7907698	0.8t Lifting Lug	0.8	22	12	70	32	12	50	38
7900352	1.6t Lifting Lug	1.6	30	16	100	35	16	57	41.5
7900353	3.2t Lifting Lug	3.2	41	23	137	50	21	80	59
7900354	5t Lifting Lug	5	51	27	172	60	28	99	71.5
7900355	10t Lifting Lug	10	70	38	228	80	35	130	95
7902174	20t Lifting Lug	20	90	52	272	115	40	175	135
7902175	31.5t Lifting Lug	31.5	108	64	320	130	50	204	154

LIFTING & LASHING POINTS



+1F
Umrichter
Steuerung

PRUD 1130
19 8101
GALF

FOR SAFE WORKING LIVES



safety

Bunzl Safety

55 Sarah Andrews Close
Erskine Park NSW 2759

1800 967 573

bunzlsafety.com.au